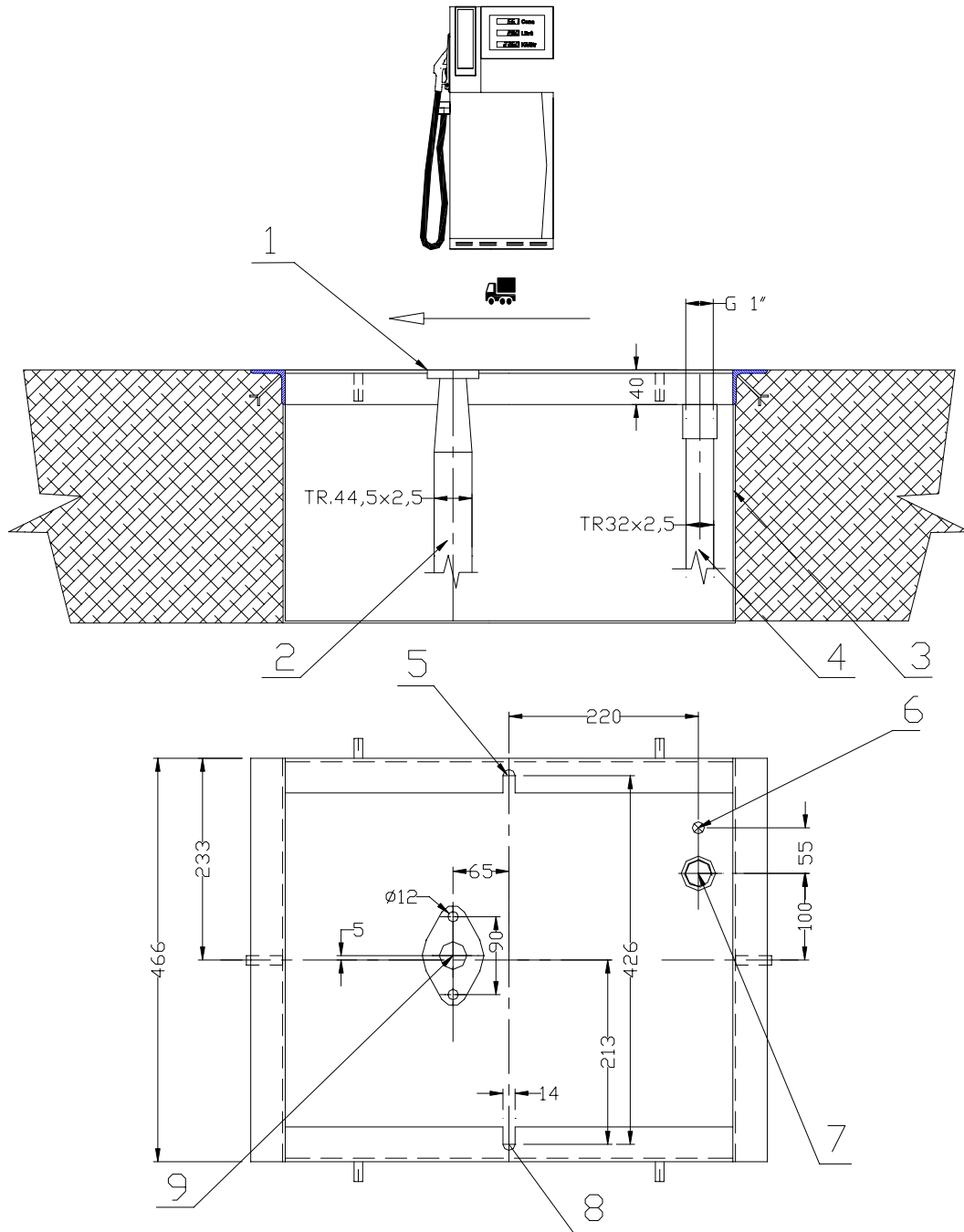


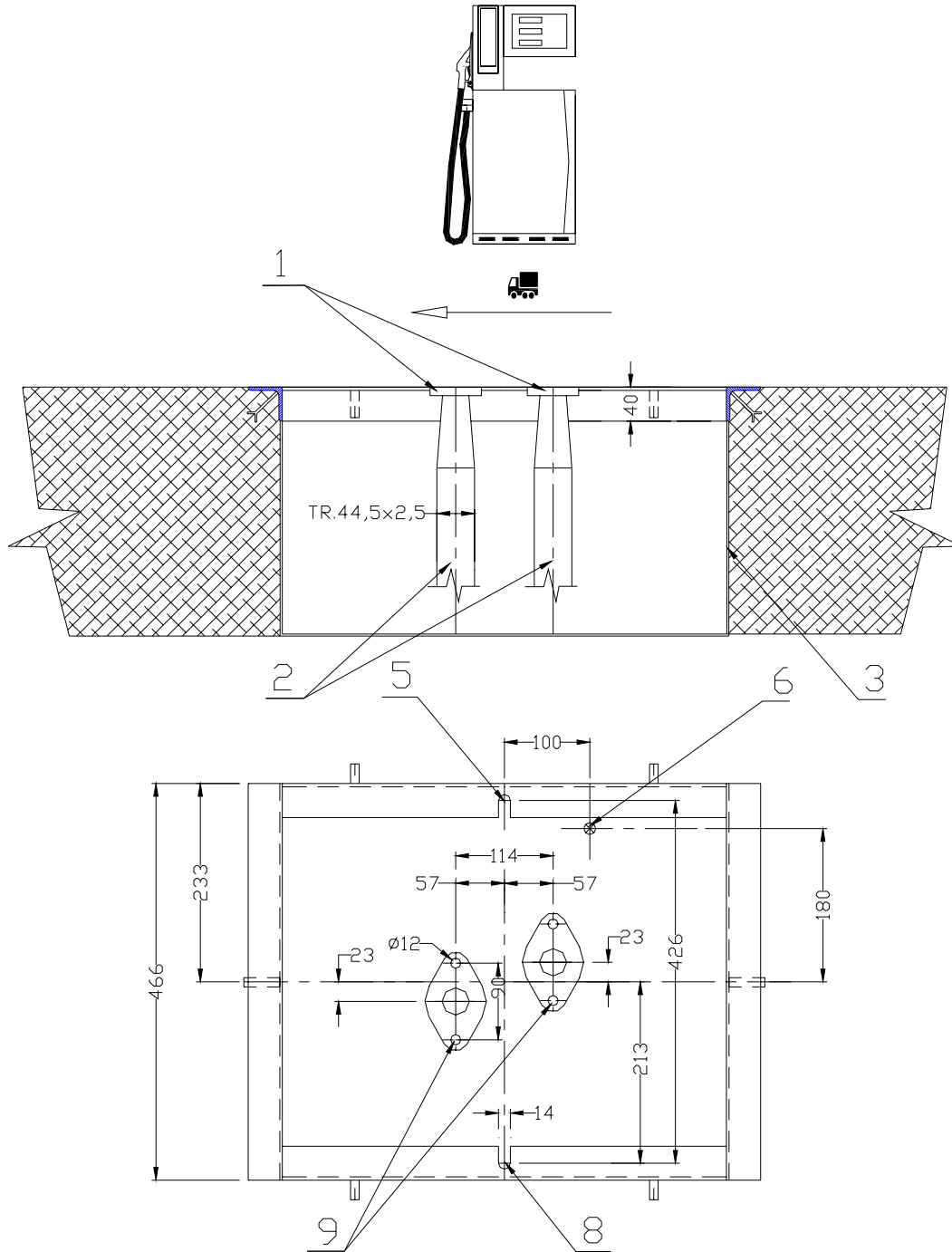
# Appendix F – Foundation Plans & Frames

## F.1. Foundation plan of BMP511.S



Pos.	Description	Pos.	Description
1	Oval Flange ČSN 13 1365 - 1 ¼"	6	Electrical Cables Outlets
2	Inlet Manifold Pipe - TR 44.5 x 2.5	7	Vapour Recovery Pipe Axis
3	Leakage Container	8	Dispenser Mount
4	Vapour Recovery Pipe - TR 32 x 2.5 - terminated by inner thread G1" (pipe is missing in case of Diesel pumps)	9	Inlet Manifold Pipe Axis
5	Fasting Holes	↔	Recommended car arrival direction

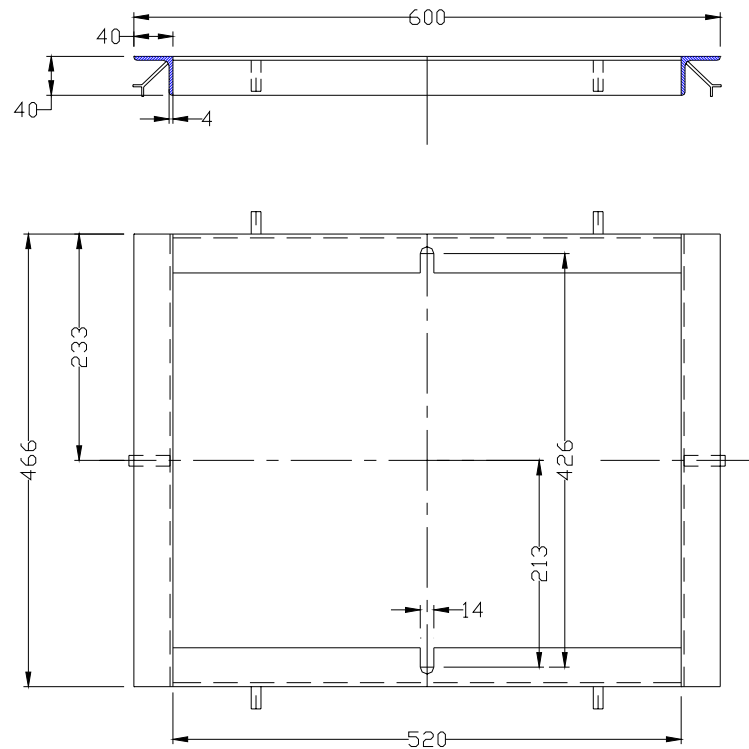
F.1.a. Foundation plan of BMP521.S /UH



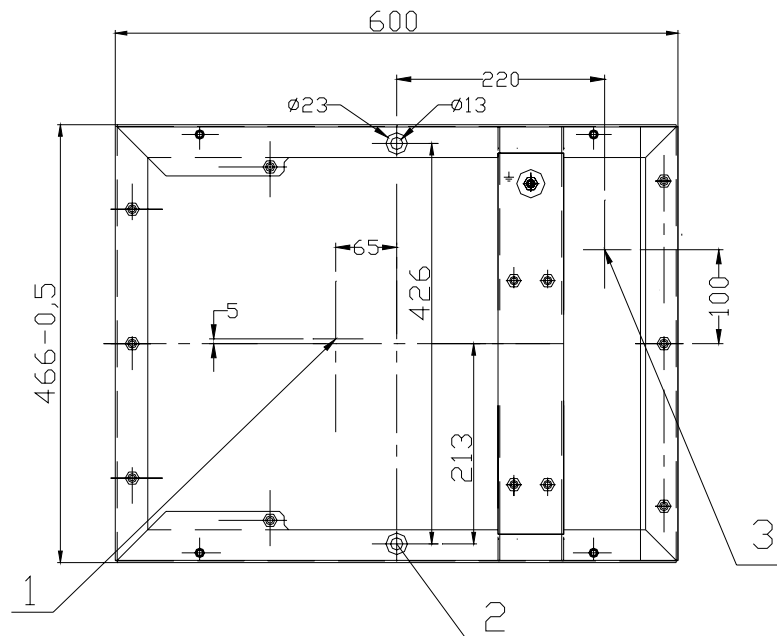
Pos.	Description	Pos.	Description
1	Oval Flange ČSN 13 1365 - 1 ¼"	6	Electrical Cables Outlets
2	Inlet Manifold Pipe - TR 44.5 x 2.5	8	Dispenser Mount
3	Leakage Container	9	Inlet Manifold Pipe Axis
5	Fasting Holes	↔	Recommended car arrival direction

## F.2. Base Frame and Ground Plan of BMP511.S

### Base Frame

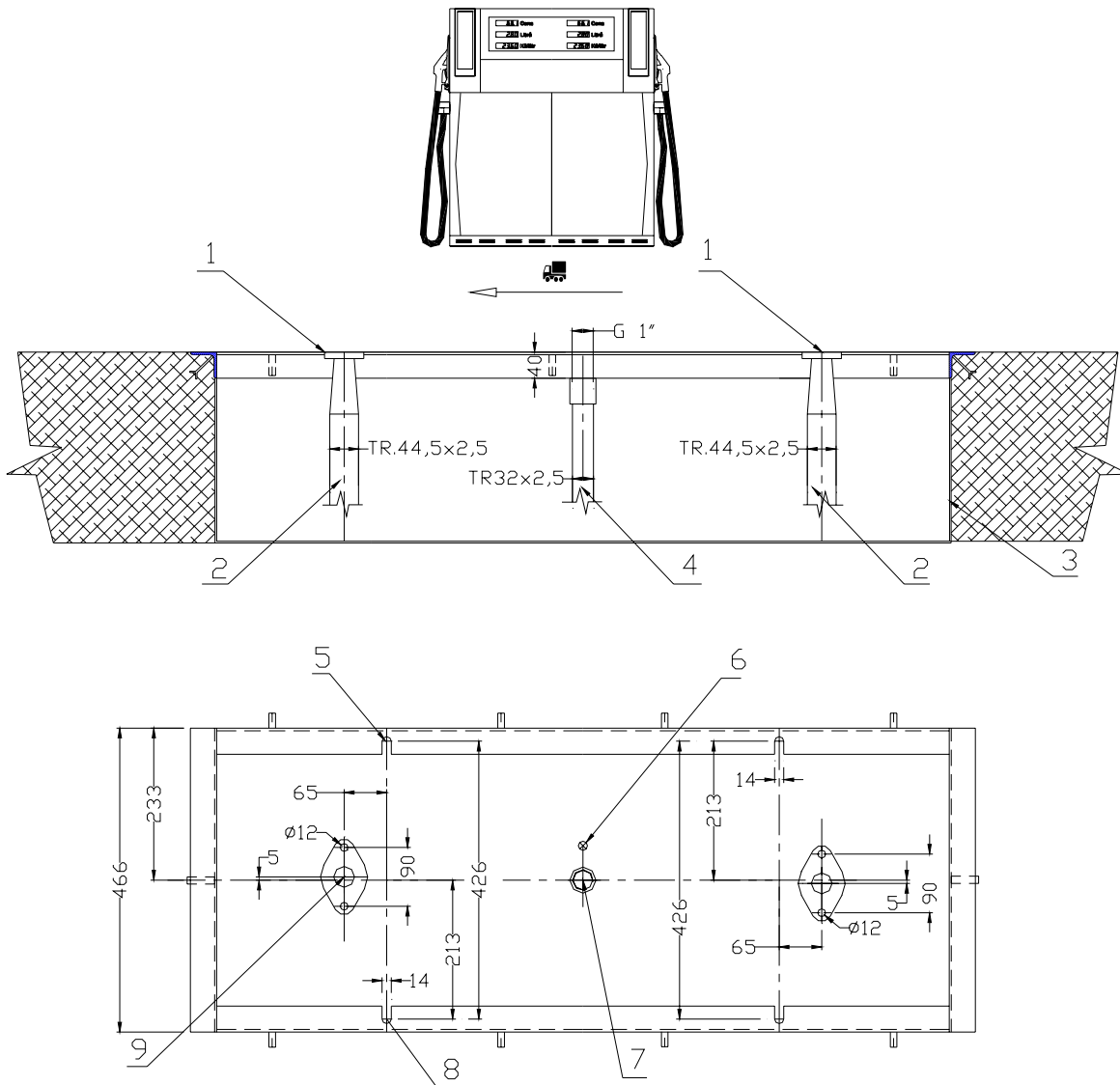


### Ground Plan



Pos.	Description	Pos.	Description
1	Inlet Manifold Pipe Axis - TR 44.5 x 2.5	3	Vapour Recovery Pipe Axis - TR 32 x 2.5
2	Dispenser Mount	↔	Recommended car arrival direction

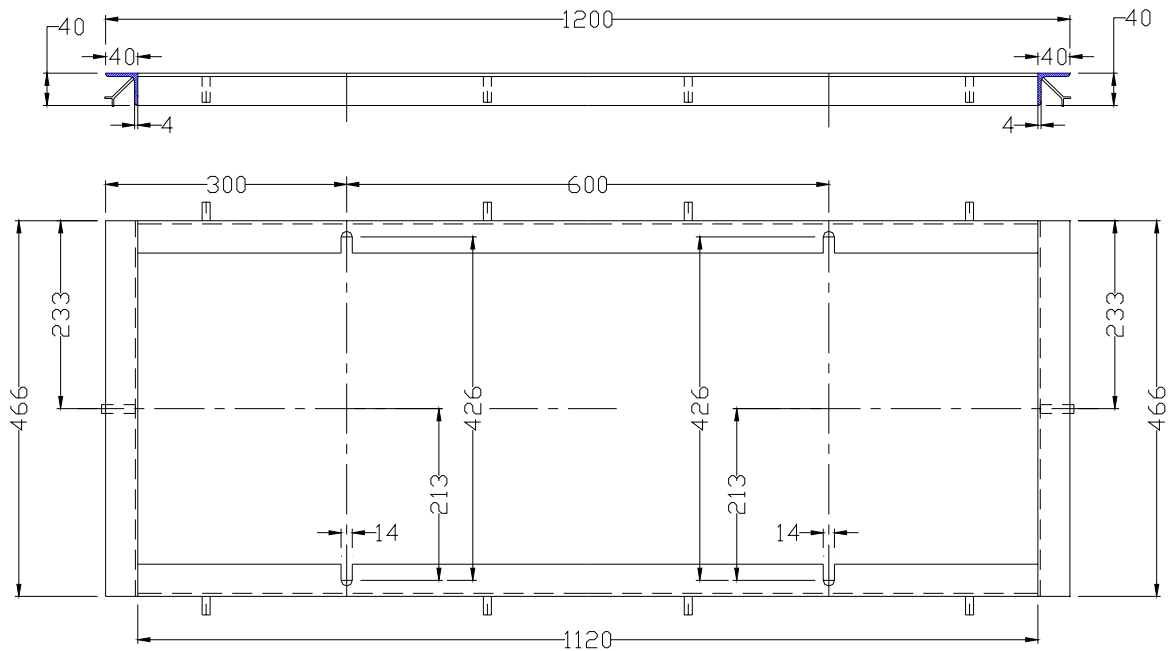
### F.3. Foundation plan of BMP522.S



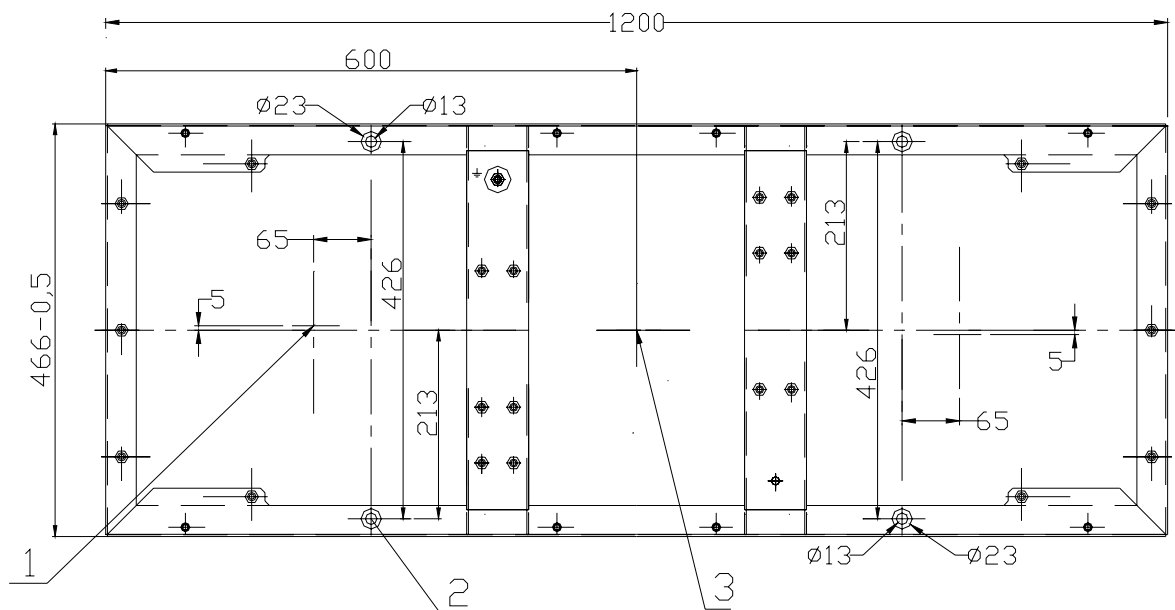
Pos.	Description	Pos.	Description
1	Oval Flange ČSN 13 1365 - 1 1/4"	6	Electrical Cables Outlets
2	Inlet Manifold Pipe - TR 44.5 x 2.5	7	Vapour Recovery Pipe Axis - TR 32 x 2.5
3	Leakage Container	8	Dispenser Mount
4	Vapour Recovery Pipe - TR 32 x 2.5 - terminated by inner thread G1" (pipe is missing in case of Diesel pumps)	9	Inlet Manifold Pipe Axis
5	Fasting Holes	↔	Recommended car arrival direction

## F.4. Base Frame & Ground Plan of BMP522.S

**Base Frame**

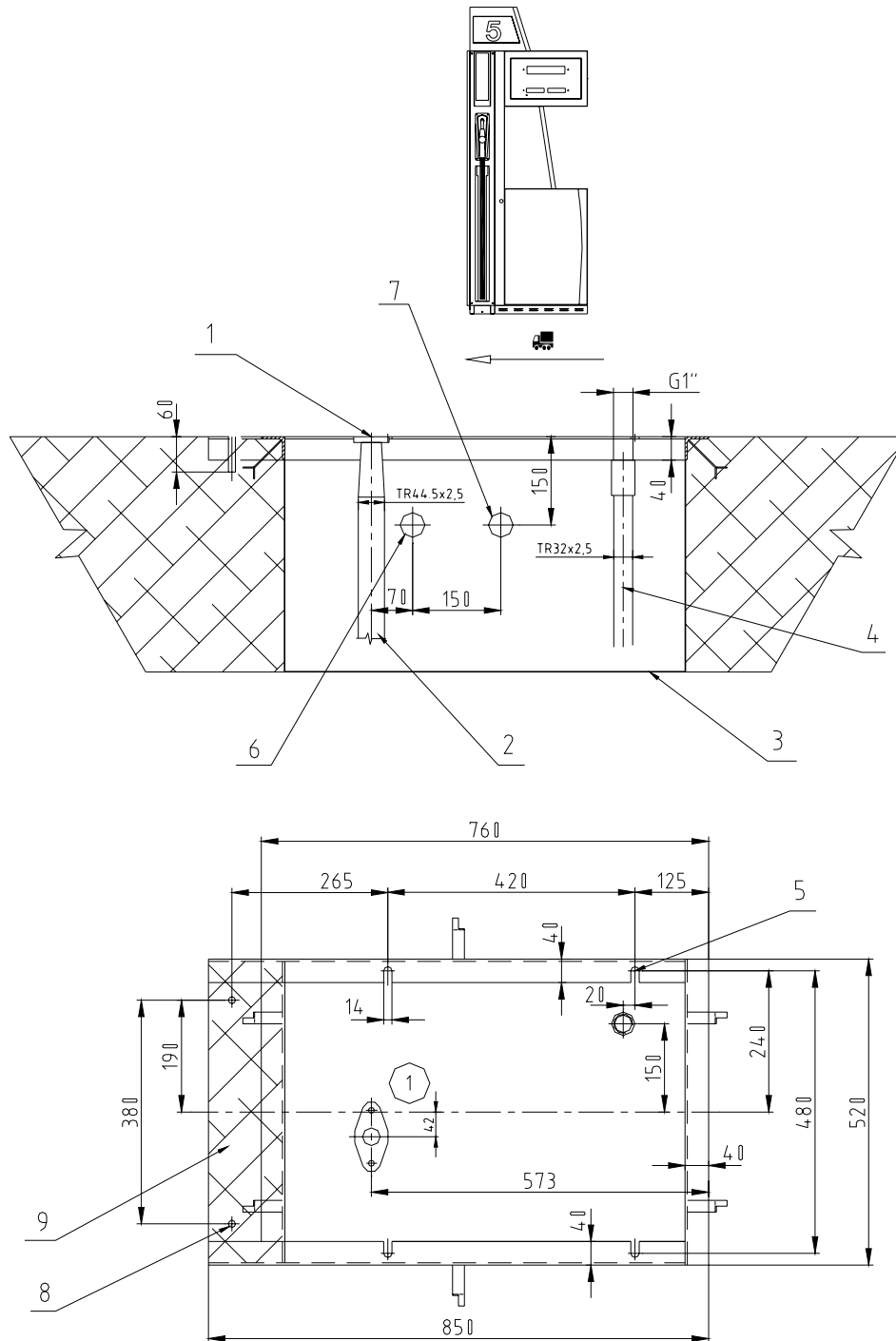


**Ground Plan**



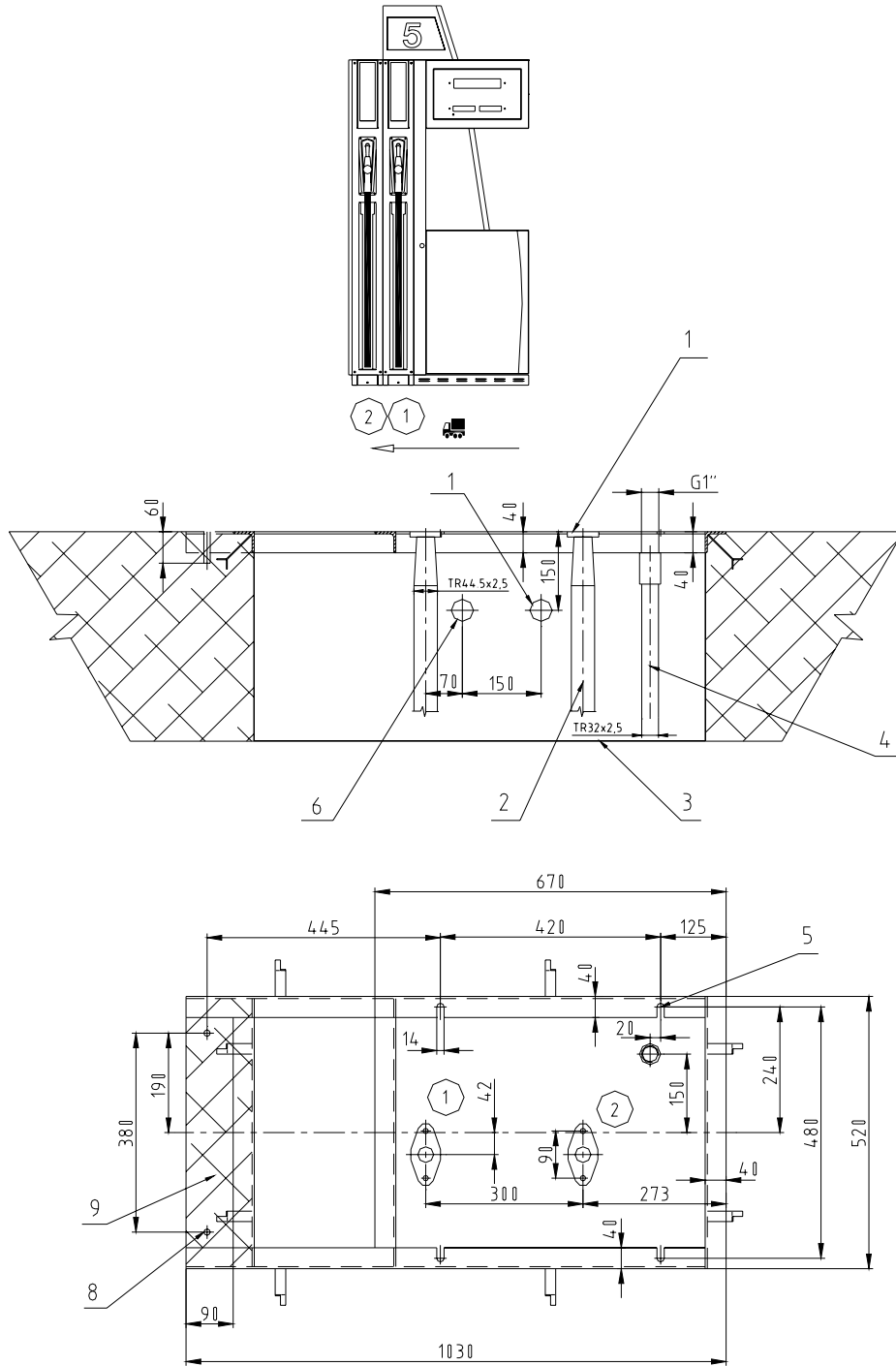
Pos.	Description	Pos.	Description
1	Inlet Manifold Pipe Axis	3	Vapour Recovery Pipe Axis (TR 32 x 2.5)
2	Dispenser Mount	↔	Recommended car arrival direction

### F.5. Foundation Plan of BMP2011.S & BMP2012.S



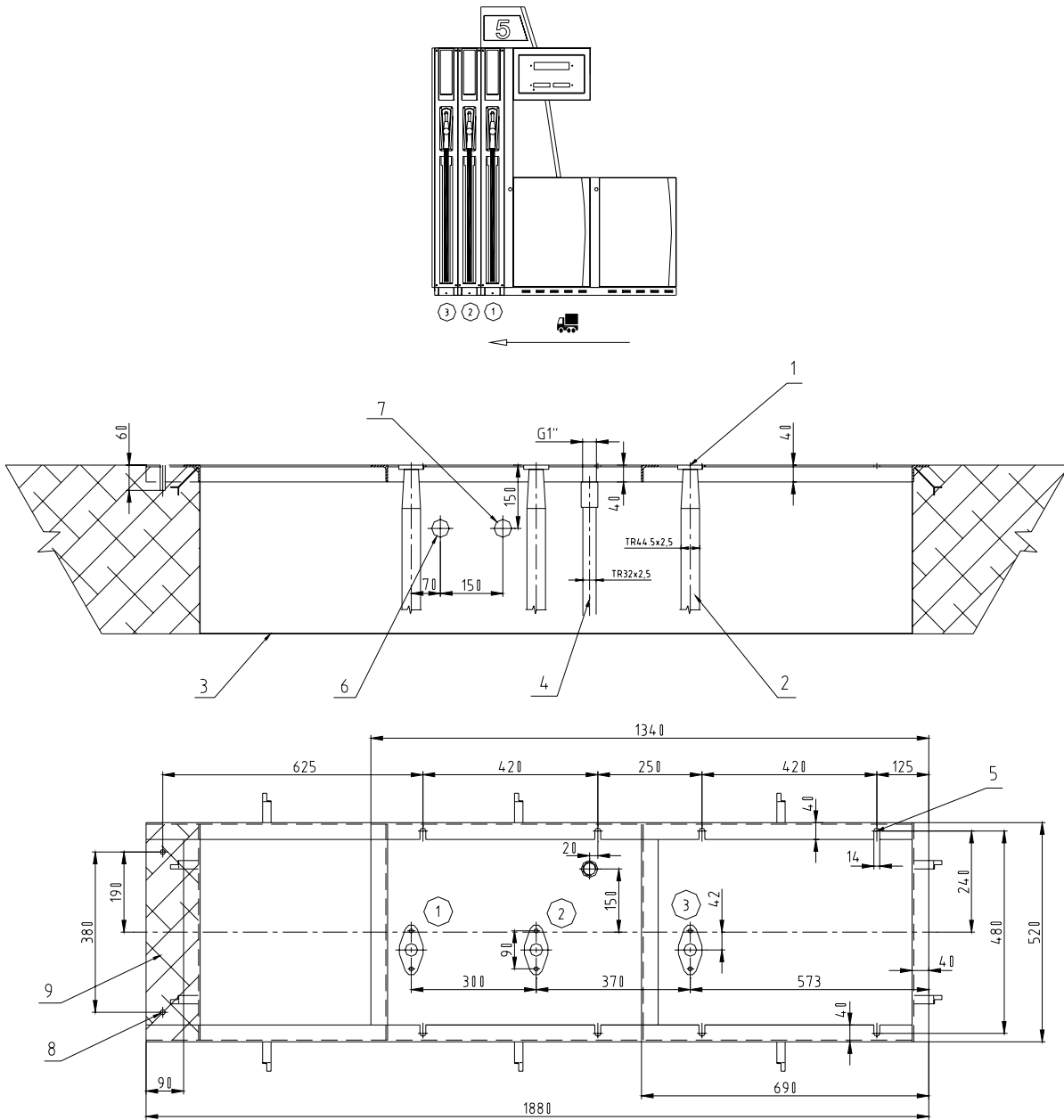
Pos.	Description	Pos.	Description
1	Oval Flange ČSN 13 1365 - 1 ¼"	6	Power Supply Electrical Cables Outlets
2	Inlet Manifold Pipe - TR 44.5 x 2.5	7	Communication Line Cable Outlet
3	Leakage Container	8	2 pcs of dowels for concrete Ø 12
4	Vapour Recovery Pipe - TR 32 x 2.5 - terminated by inner thread G1" (pipe is missing in case of Diesel pumps)	9	This surface must be on the same level with base frame !!!
5	Fasting Holes	↔	Recommended car arrival direction

## F.6. Foundation Plan of BMP2022.S & BMP2024.S



Pos.	Description	Pos.	Description
1	Oval Flange ČSN 13 1365 - 1 ¼"	6	Power Supply Electrical Cables Outlets
2	Inlet Manifold Pipe - TR 44.5 x 2.5	7	Communication Line Cable Outlet
3	Leakage Container	8	2 pcs of dowels for concrete Ø 12
5	Fasting Holes	9	This surface must be on the same level with frame !!!
4	Vapour Recovery Pipe - TR 32 x 2.5 - terminated by inner thread G1"	①②	Order of the Fuel Products
		↔	Recommended car arrival direction

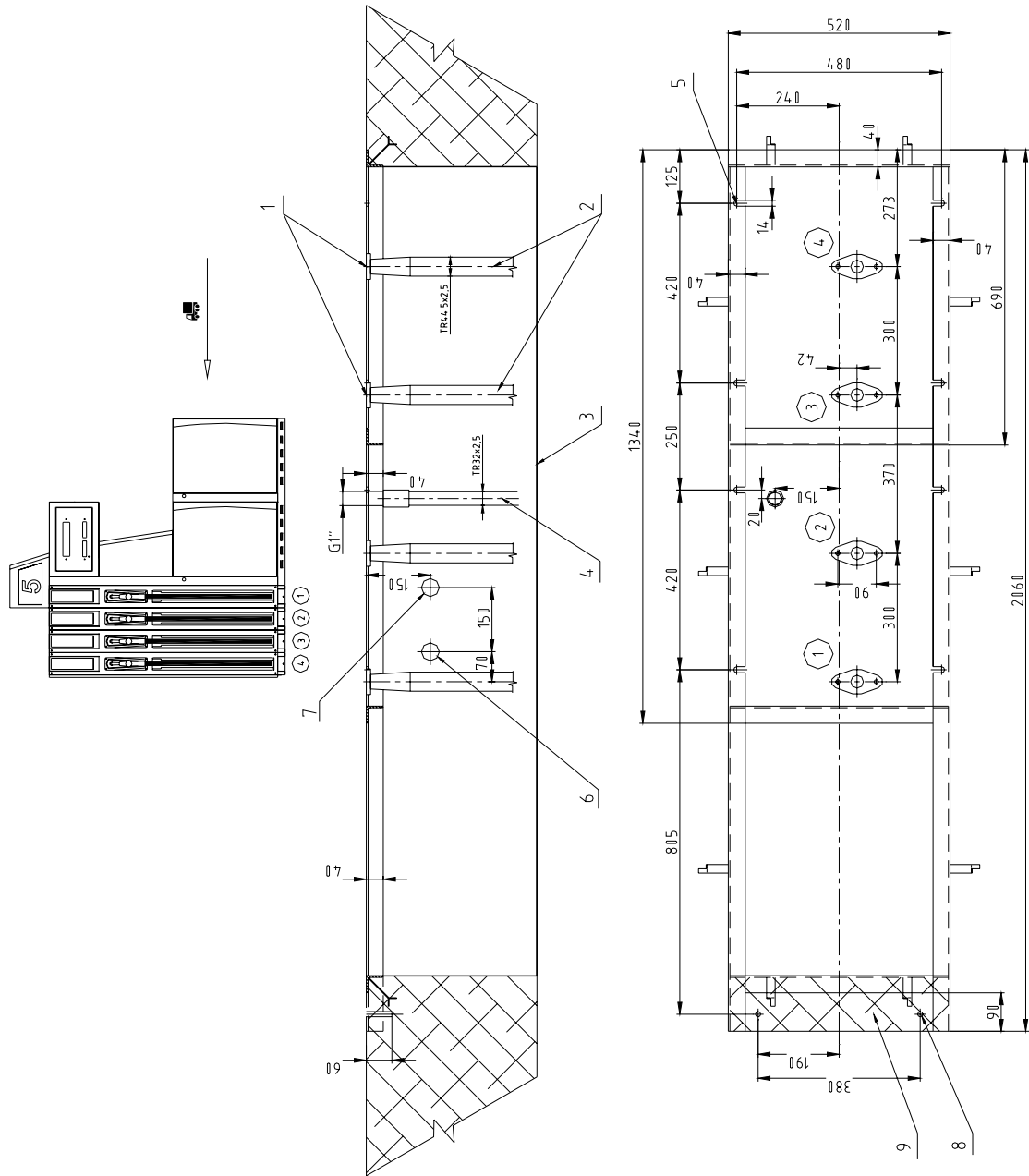
F.7. Foundation Plan of BMP2033.S & BMP2036.S



Pos.	Description	Pos.	Description
1	Oval Flange ČSN 13 1365 - 1 1/4"	6	Power Supply Electrical Cables Outlets
2	Inlet Manifold Pipe - TR 44.5 x 2.5	7	Communication Line Cable Outlet
3	Leakage Container	8	2 pcs of dowels for concrete Ø 12
5	Fasting Holes	9	This surface must be on the same level with frame !!!
4	Vapour Recovery Pipe - TR 32 x 2.5 - terminated by inner thread G1"	① ② ③	Order of the Fuel Products
		←	Recommended car arrival direction



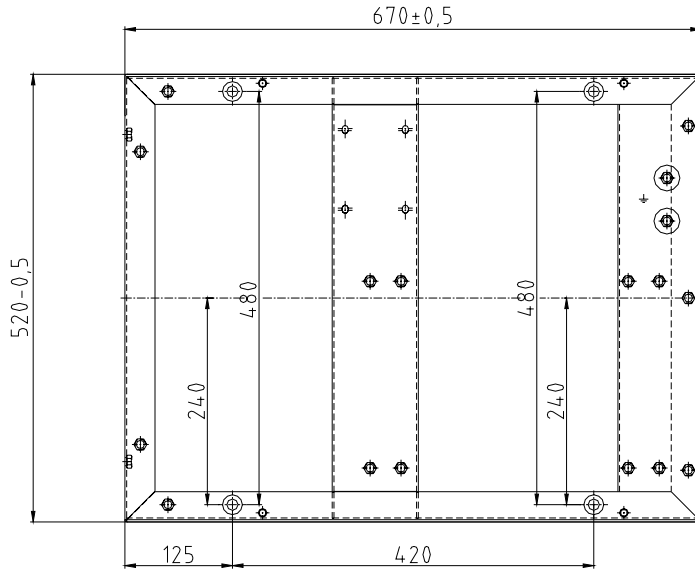
## F.8. Foundation Plan of BMP2044.S & BMP2048.S



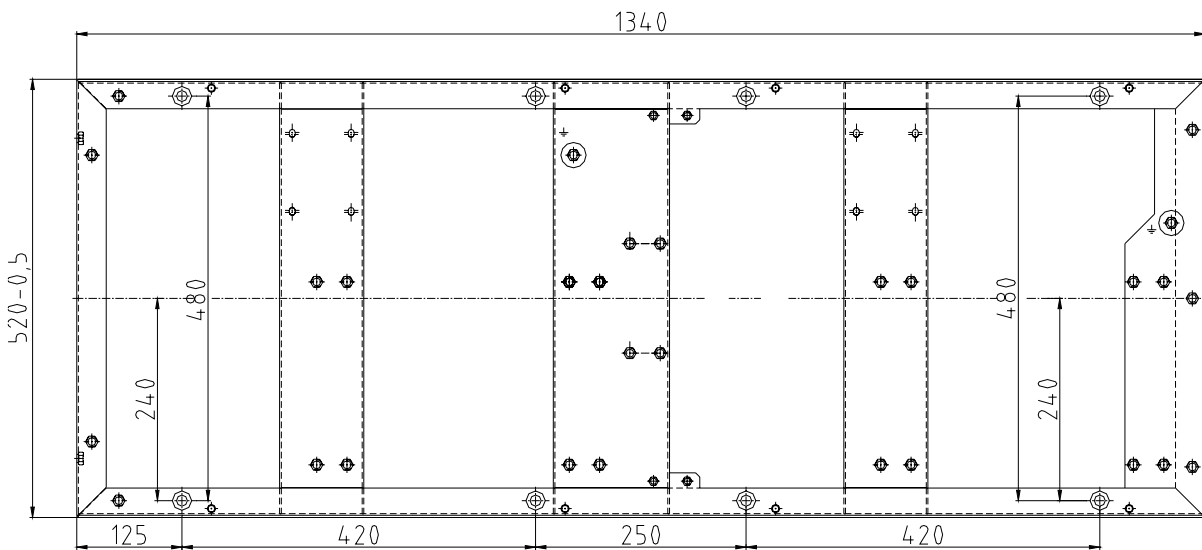
Pos.	Description	Pos.	Description
1	Oval Flange ČSN 13 1365 - 1 1/4"	6	Power Supply Electrical Cables Outlets
2	Inlet Manifold Pipe - TR 44.5 x 2.5	7	Communication Line Cable Outlet
3	Leakage Container	8	2 pcs of dowels for concrete Ø 12
5	Fasting Holes	9	This surface must be on the same level with frame !!!
4	Vapour Recovery Pipe - TR 32 x 2.5 - terminated by inner thread G1"	①②③④	Order of the Fuel Products
		↔	Recommended car arrival direction

## F.9. Ground plans of the dispensers series BMP2000.S

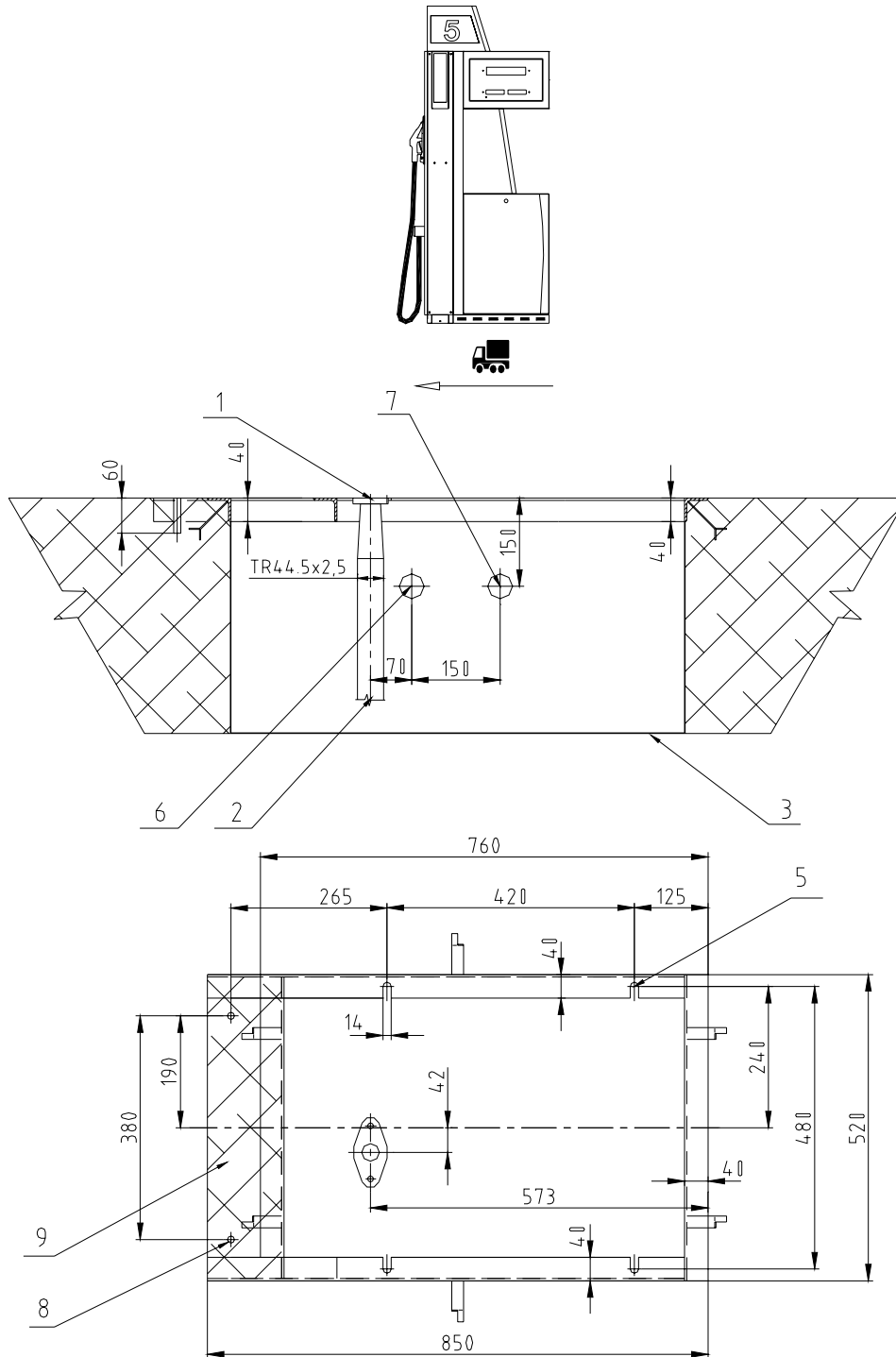
### Ground Plans of BMP2012.S & BMP2024.S



### Ground Plans of BMP2036.S & BMP2048.S

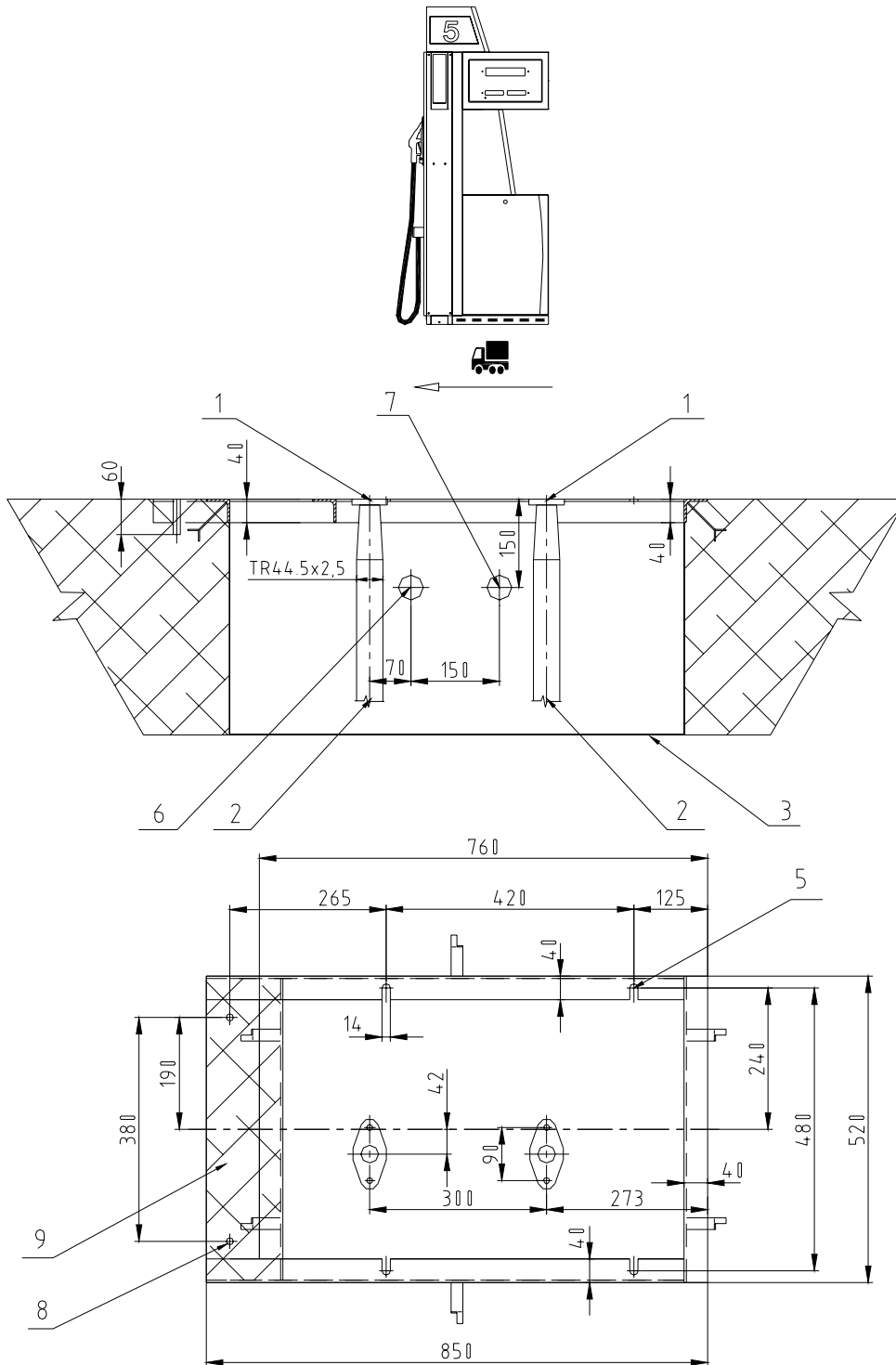


### F.11. Foundation Plan of BMP2011.SM version ZV1



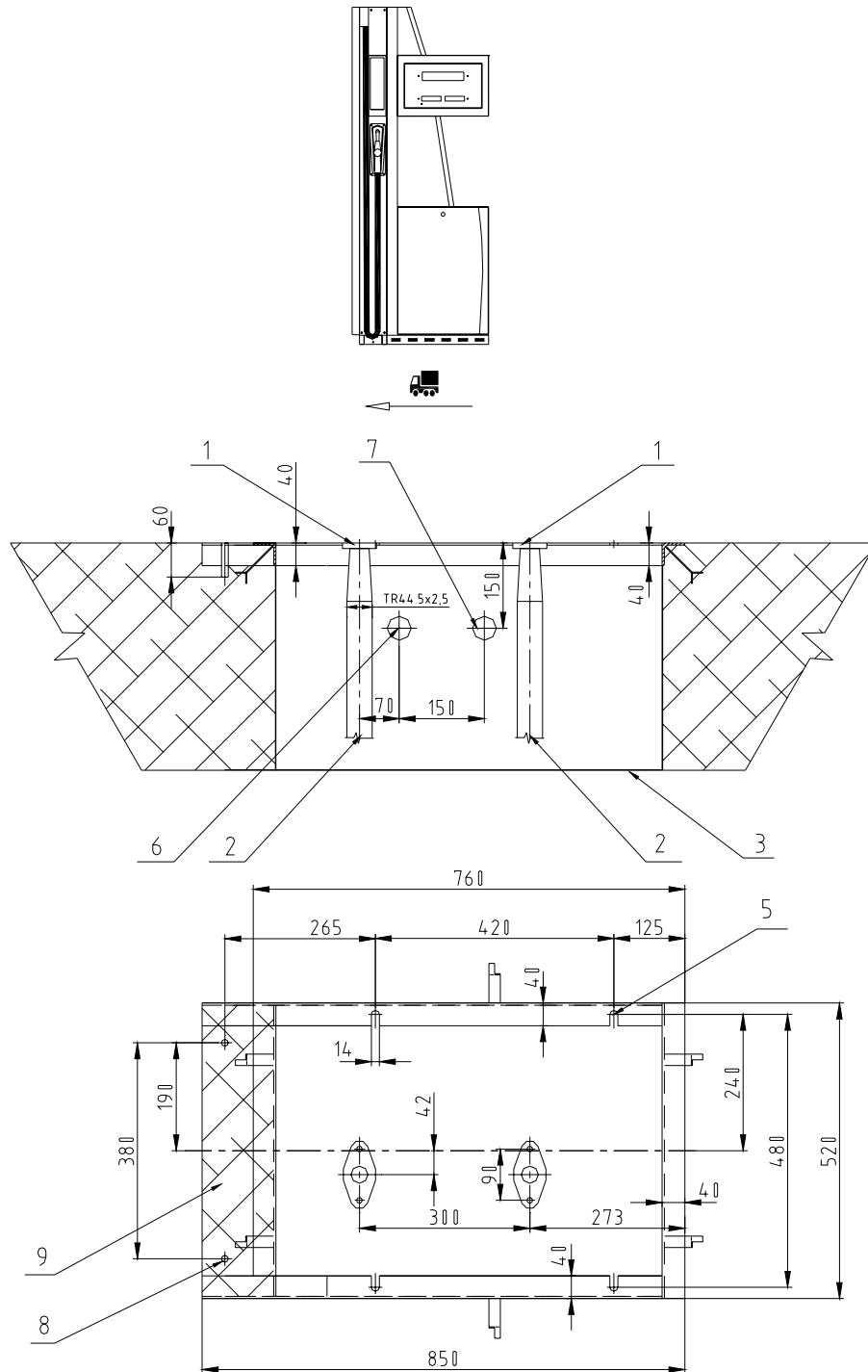
Pos.	Description	Pos.	Description
1	Oval Flange ČSN 13 1365 - 1 1/4"	6	Power Supply Electrical Cables Outlets
2	Inlet Manifold Pipe - TR 44.5 x 2.5	7	Communication Line Cable Outlet
3	Leakage Container	8	2 pcs of dowels for concrete Ø 12
		9	This surface must be on the same level with base frame !!!
5	Fasting Holes	↔	Recommended car arrival direction

F.12. Foundation Plan of BMP2021.SML(R) /UH version ZV1



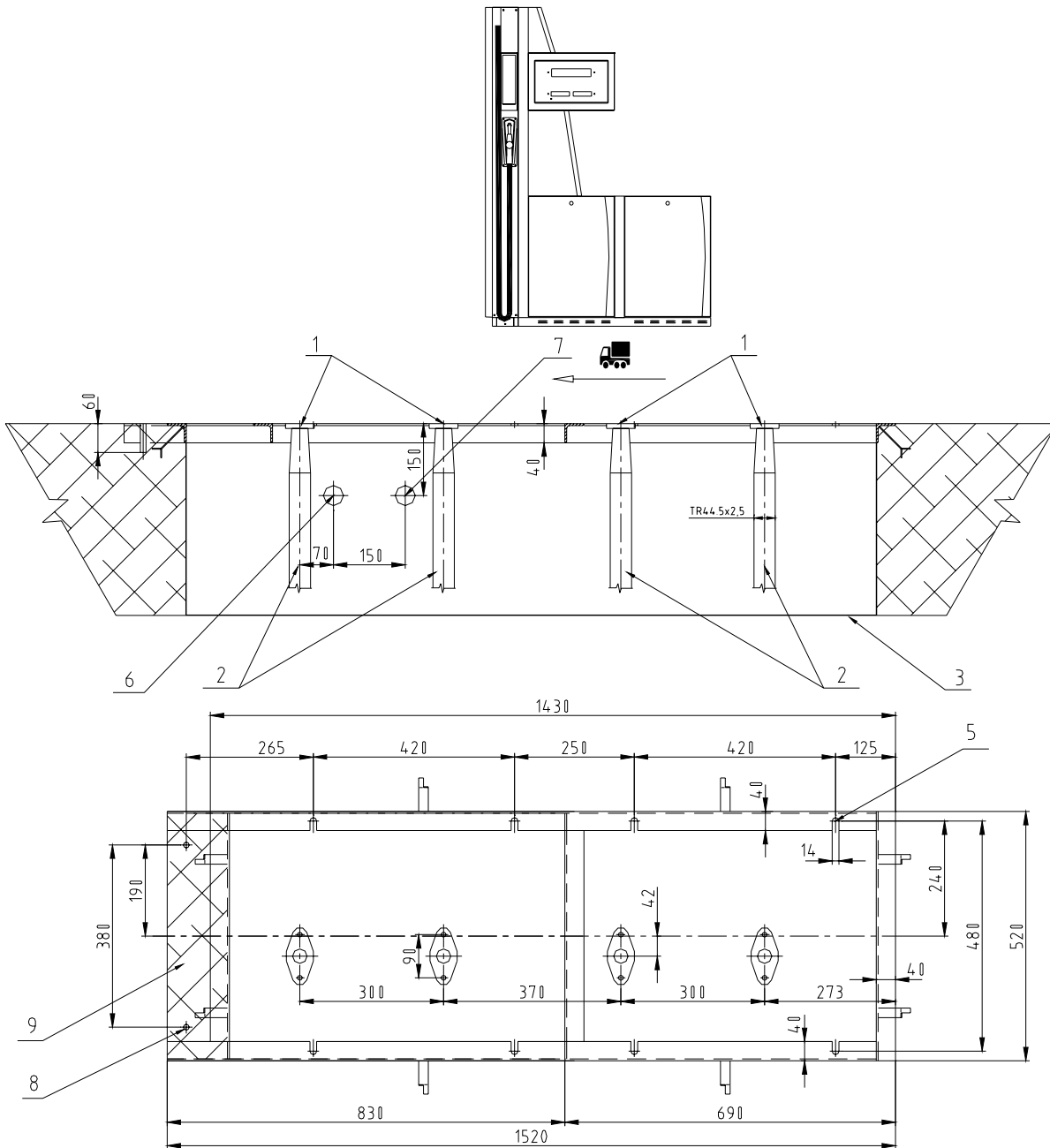
Pos.	Description	Pos.	Description
1	Oval Flange ČSN 13 1365 - 1 1/4"	6	Power Supply Electrical Cables Outlets
2	Inlet Manifold Pipes - TR 44.5 x 2.5	7	Communication Line Cable Outlet
3	Leakage Container	8	2 pcs of dowels for concrete Ø 12
5	Fasting Holes	9	This surface must be on the same level with base frame !!!
		↔	Recommended car arrival direction

### F.13. Foundation Plan of BMP2021.STL /UH



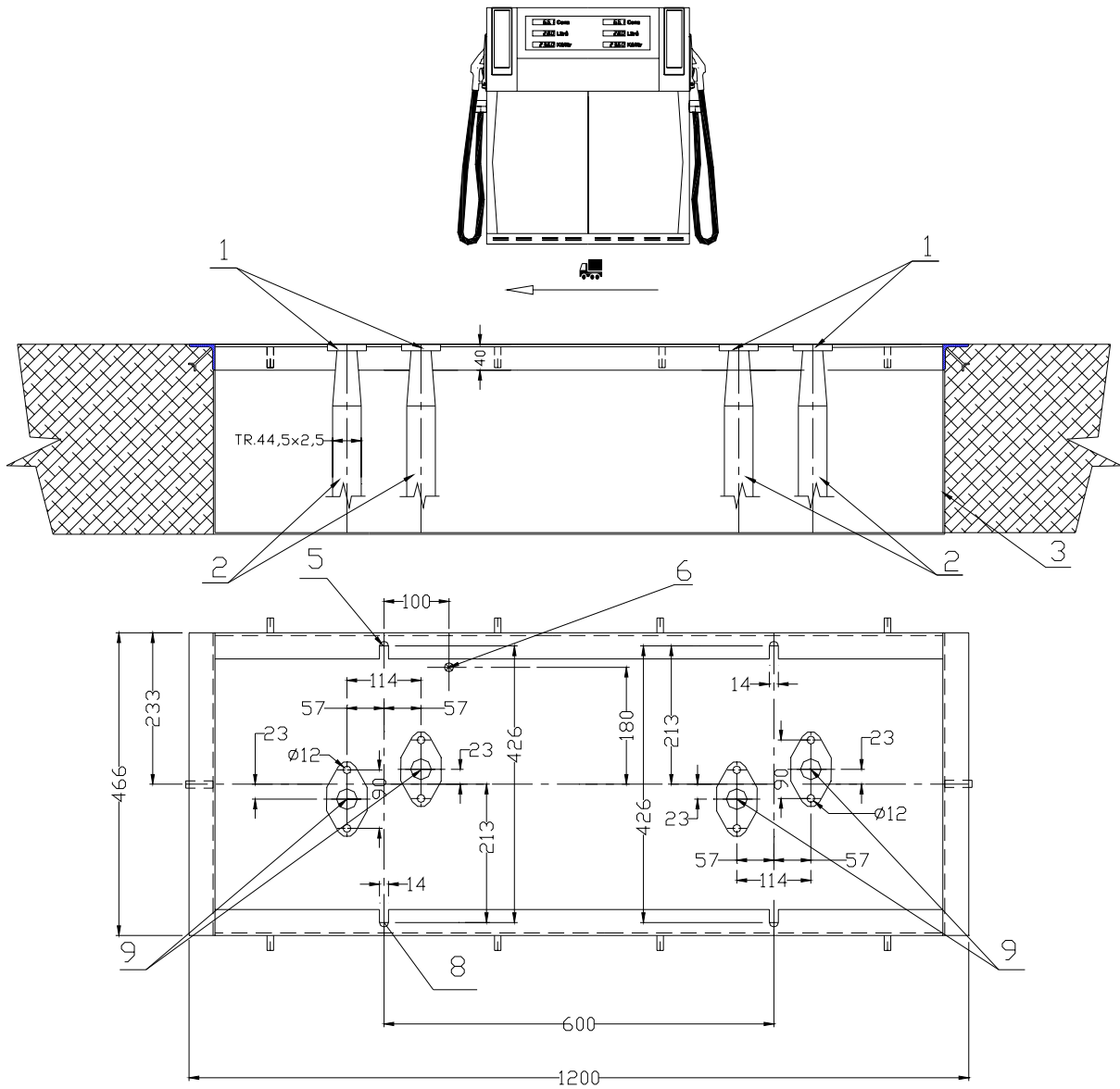
Pos.	Description	Pos.	Description
1	Oval Flange ČSN 13 1365 - 1 ¼"	6	Power Supply Electrical Cables Outlets
2	Inlet Manifold Pipes - TR 44.5 x 2.5	7	Communication Line Cable Outlet
3	Leakage Container	8	2 pcs of dowels for concrete Ø 12
		9	This surface must be on the same level with base frame !!!
5	Fasting Holes	↔	Recommended car arrival direction

F.14. Foundation Plan of BMP2042.STD /UH



Pos.	Description	Pos.	Description
1	Oval Flange ČSN 13 1365 - 1 ¼"	6	Power Supply Electrical Cables Outlets
2	Inlet Manifold Pipes - TR 44.5 x 2.5	7	Communication Line Cable Outlet
3	Leakage Container	8	2 pcs of dowels for concrete Ø 12
		9	This surface must be on the same level with base frame !!!
5	Fasting Holes	↔	Recommended car arrival direction

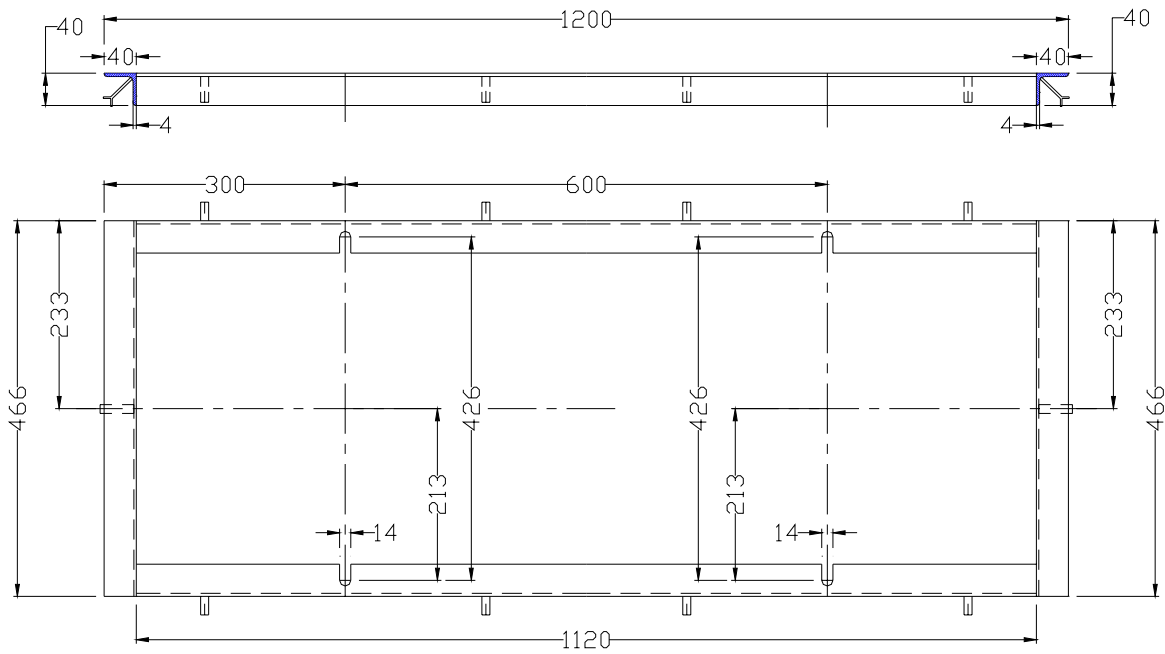
### F.15. Foundation plan of BMP524.SD /UH/UH



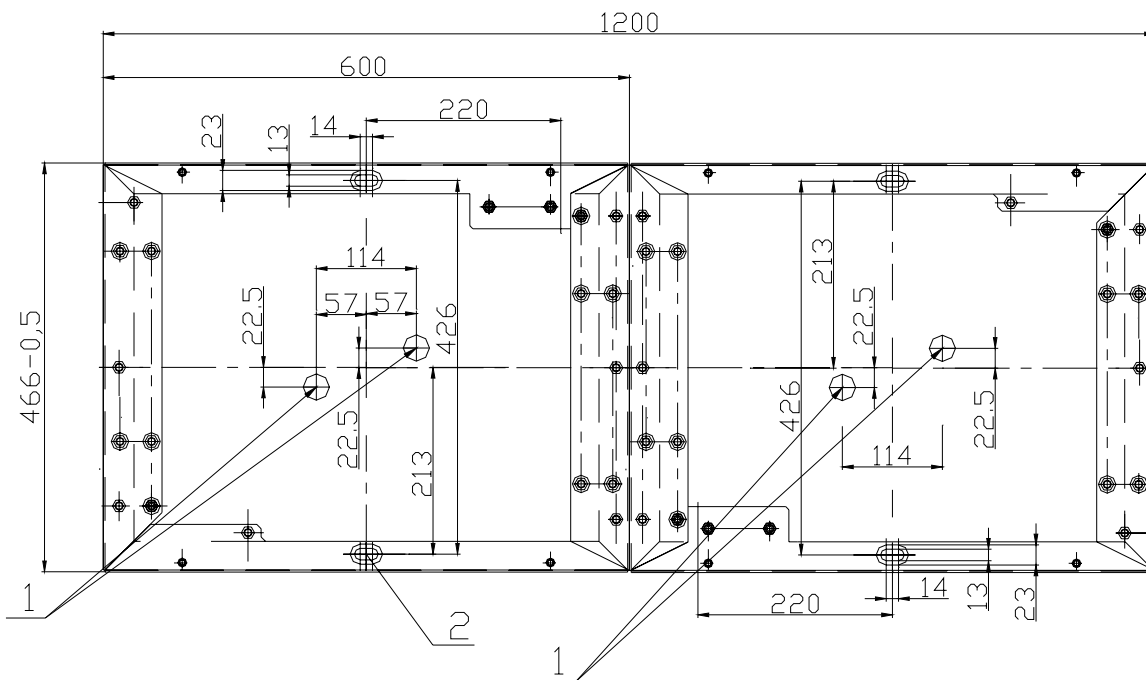
Pos.	Description	Pos.	Description
1	Oval Flange ČSN 13 1365 - 1 ¼"	6	Electrical Cables Outlets
2	Inlet Manifold Pipe - TR 44.5 x 2.5	7	-
3	Leakage Container	8	Dispenser Mount
4	-	9	Inlet Manifold Pipe Axis
5	Fasting Holes	↔	Recommended car arrival direction

### F.16. Base Frame & Ground Plan of BMP524.SD /UH/UH

**Base Frame**



**Ground Plan**

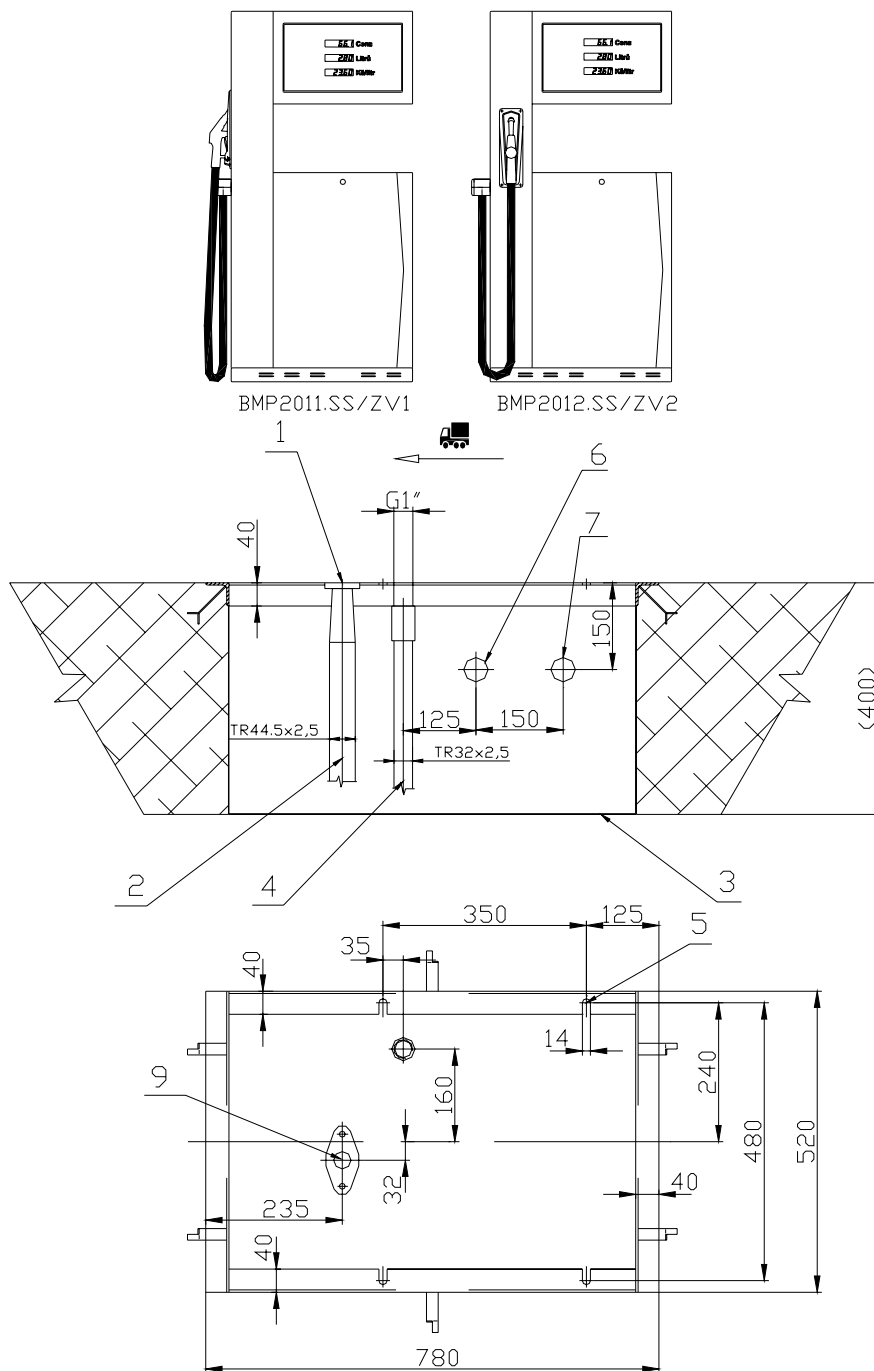


Pos.	Description	Pos.	Description
1	Inlet Manifold Pipe Axis	2	Dispenser Mount



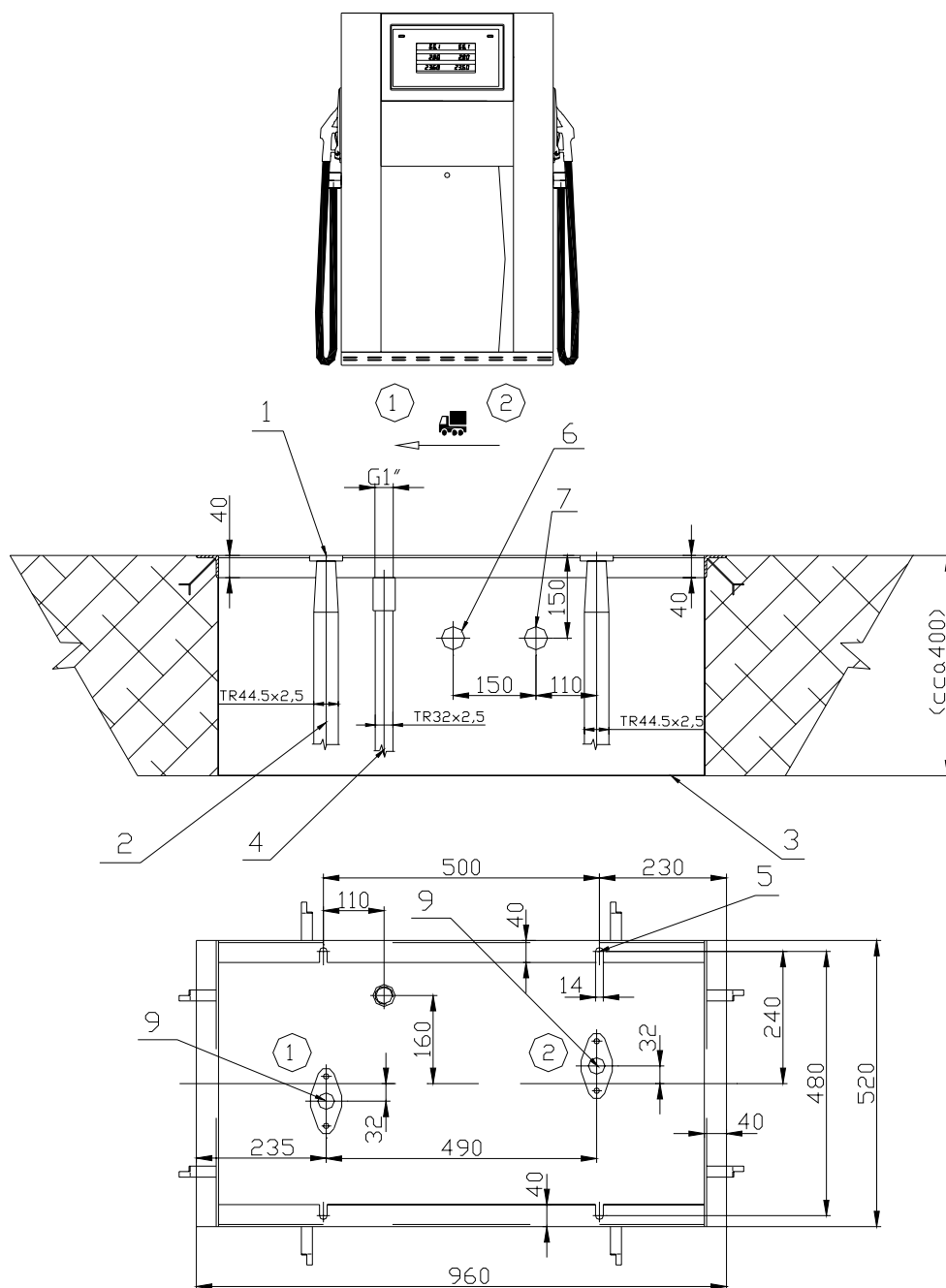


F.18. Foundation plan of dispensers BMP2000.SS "Small"



Pos.	Description	Pos.	Description
1	Oval Flange ČSN 13 1365 - 1 1/4"	6	Power Supply Electrical Cables Outlets
2	Inlet Manifold Pipe - TR 44.5 x 2.5	7	Communication Line Cable Outlet
3	Leakage Container	9	Inlet Manifold Pipe Axis
4	Vapour Recovery Pipe - TR 32 x 2.5 - terminated by inner thread G1"	↔	Recommended car arrival direction
5	Fasting Holes		

### F.19. Foundation plan of dispensers BMP2000.SI "Island"



Pos.	Description	Pos.	Description
1	Oval Flange ČSN 13 1365 - 1 1/4"	6	Power Supply Electrical Cables Outlets
2	Inlet Manifold Pipe - TR 44.5 x 2.5	7	Communication Line Cable Outlet
3	Leakage Container	9	Inlet Manifold Pipe Axis
4	Vapour Recovery Pipe - TR 32 x 2.5 - terminated by inner thread G1"	↔	Recommended car arrival direction
5	Fasting Holes	① ②	Order of the Fuel Products

Distributed by:



Bulgaria  
Telephone: +359 2 973 27 67  
Fax: +359 2 973 26 65  
E-mail: office@daisglobal.eu  
Web: http://markuchi.eu/

România  
Telephone/Fax : +40 21 780 45 58  
E-mail: office\_ro@opwmarket.com  
Web: http://furtunuri.eu/

Srbija  
Telephone/Fax : 038111/2619-200  
E-mail: office\_sr@opwmarket.com  
Web: http://creva.eu/