

ABAQUE Serie

Peristaltic Hose Pump

Pump With Confidence

The Blackmer Abaque Series pump can handle your toughest pumping needs – from abrasive and aggressive fluids to sheer sensitive and viscous materials.

Seal Free

Seal free design eliminates leaks and contamination. Fluids are contained within the hose. The hose is the primary maintenance component.

Reliable

The Blackmer Abaque Series pump is self-priming to 25.5 ft. (9 meters) manometric lift. This pump is able to run dry continuously without detrimental effects. The pump is capable of running in forward or reverse.

Durable

Ductile iron and steel construction allow higher discharge pressures to 232 psi. (16 bar). Its solid construction and advanced design also reduce maintenance and repairs.

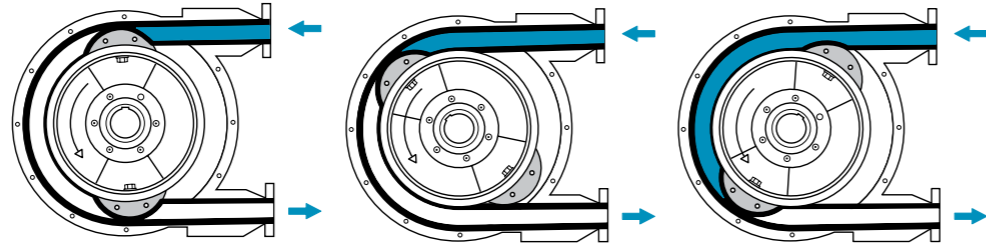


Abaque Series Peristaltic Hose Pump

Operation Principle

Pumping action is achieved by compression of a circular loop of elastomeric hose with two diametrically opposed rotating shoes. This rotational motion forces the fluid in the hose to move ahead of each shoe. When each shoe reaches the end of the loop, the reinforced tube immediately returns to its original shape, thereby ensuring suction and priming.

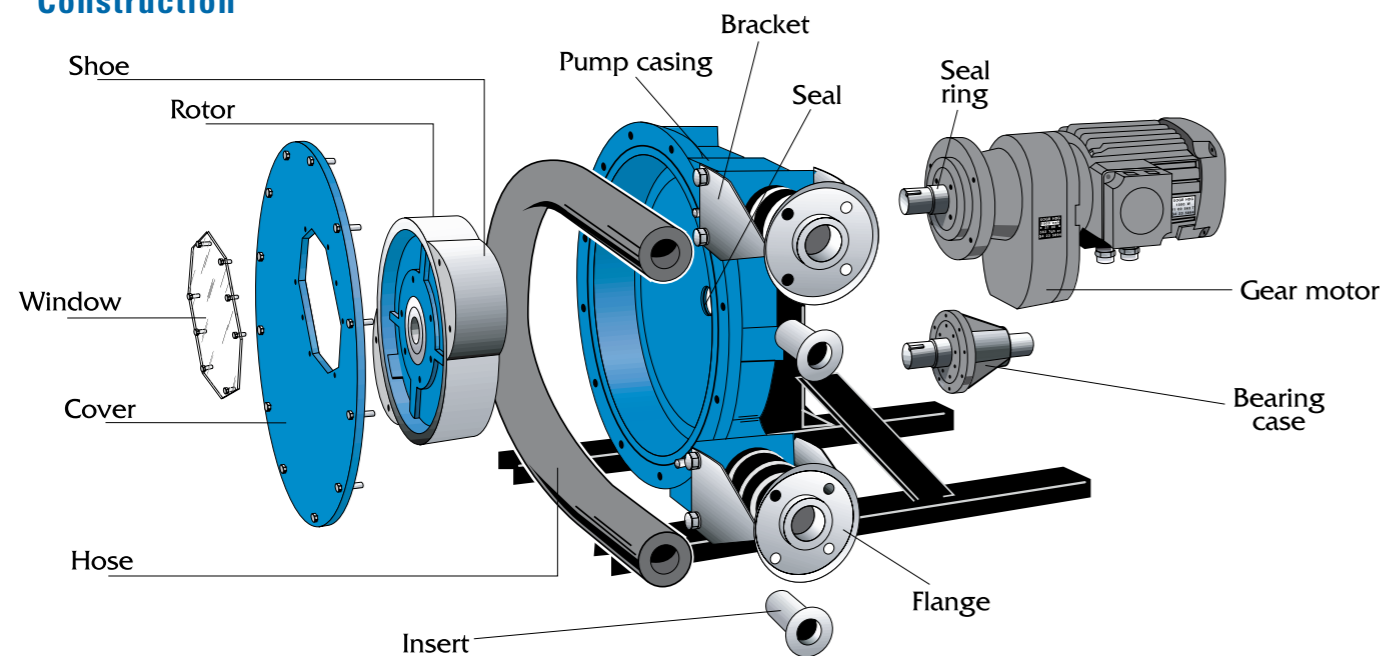
The pump housing is partially filled with lubricant, aiding smooth running of the shoes on the hose. The inside of the hose and hose inserts are the only pieces of equipment in contact with pumped fluids, allowing aggressive and contaminated fluids to be pumped.



Applications

- Chemical process industry
- Food industry
- Industrial and municipal water treatment
- Paints and coatings
- Ceramics
- Mining
- Filter press equipment

Construction



Blackmer Abaque Series pump construction:

Pump Case:	Ductile iron
Rotor:	Ductile iron
Shoes:	Aluminium or cast iron
Cover:	Steel and Plexiglas
Flange and brackets:	Stainless steel - ANSI or DIN
Hoses:	Naturel rubber, Buna (NBR) or EPDM
Hoses inserts:	Stainless steel (std.), PPH or PVDF

Hoses

The following hoses are available for use in the Abaque Series pump:

- **Natural rubber:** Highly resilient with excellent abrasion resistance and strength. Generally resistant to diluted acids and alcohols.
- **Buna (NBR):** Highly wear resistant to oily products.
- **EPDM:** High chemical resistance, especially with concentrated acids, alcohols and ketones.

Options

The Abaque Series pump is available in 10 different models, ranging from flow rates of 0.07 to 339 gal US/min (15 to 77000 l/h). Choose close-coupled or bare shaft models.

Also available:

- Leak detector
- Vacuum kit
- Non-metallic inserts (PPH, PVDF)



Close-coupled A65

Gear-Reduced AS125

Performance Data

Flow rates in l/h

L/h	10 tr/rpm	20 tr/rpm	30 tr/rpm	40 tr/rpm	50 tr/rpm	60 tr/rpm	70 tr/rpm	80 tr/rpm	90 tr/rpm	100 tr/rpm	110 tr/rpm	120 rpm	130 rpm	140 rpm	150 rpm	160 rpm
A10-AS10	15	30	45	60	75	90	105	120	135							
A20-AS20	83	167	250	333	417	500	583	667	750							
A25-AS25	167	333	500	667	833	1000	1167	1333	1500	1667	1833	2000	2167	2333	2500	2667
A40-AS40	517	1033	1550	2067	2583	3100	3617	4133	4650	5167	5683	6200	6717	7233		
AX40-ASX40	800	1600	2400	3200	4000	4800	5600	6400	7200	8000	8800	9600				
A65-AS65	2025	4050	6075	8100	10125	12150	14175	16200	18225							
AX80-ASX80	5330	10660	15990	21320	26650	31980	37310									
A80-AS80	6500	13000	19500	26000	32500	39000										
A100-AS100	12000	24000	36000	48000	54000*											
A125-AS125	22000	44000	66000	77000**												

* to 45 tr/mn
** to 35 tr/mn

Flow rates in U.S. gal GPM

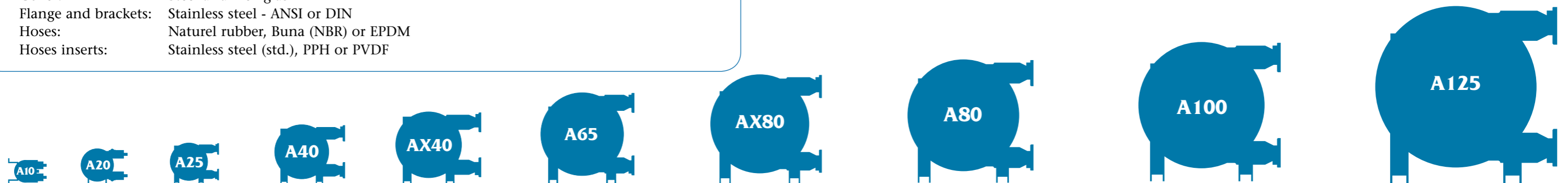
gal. US/rpm	10 tr/rpm	20 tr/rpm	30 tr/rpm	40 tr/rpm	50 tr/rpm	60 tr/rpm	70 tr/rpm	80 tr/rpm	90 tr/rpm	100 tr/rpm	110 tr/rpm	120 tr/rpm	130 tr/rpm	140 tr/rpm	150 tr/rpm	160 tr/rpm
A10-AS10	0.07	0.14	0.21	0.28	0.35	0.42	0.49	0.56	0.63							
A20-AS20	0.37	0.74	1.11	1.48	1.85	2.22	2.59	2.96	3.33							
A25-AS25	0.73	1.46	2.19	2.92	3.65	4.38	5.11	5.84	6.57	7.30	8.03	8.76	9.49	10.22	10.95	11.68
A40-AS40	2.27	4.54	6.81	9.08	11.35	13.62	15.89	18.16	20.43	22.70	24.97	27.24	29.51	31.78		
AX40-ASX40	3.52	7.04	10.56	14.08	17.60	21.12	24.64	28.16	31.68	35.20	38.72	42.24				
A65-AS65	8.92	17.84	26.76	35.68	44.60	53.52	62.44	71.36	80.28							
AX80-ASX80	23.45	46.90	70.35	93.80	117.25	140.70	164.15									
A80-AS80	28.62	57.24	85.86	114.48	143.10	171.72										
A100-AS100	52.83	105.66	158.49	211.32	237.74*											
A125-AS125	96.86	193.72	290.58	339.01**												

* to 45 tr/mn
** to 35 tr/mn

Légend : Constant duty Intermittent Duty

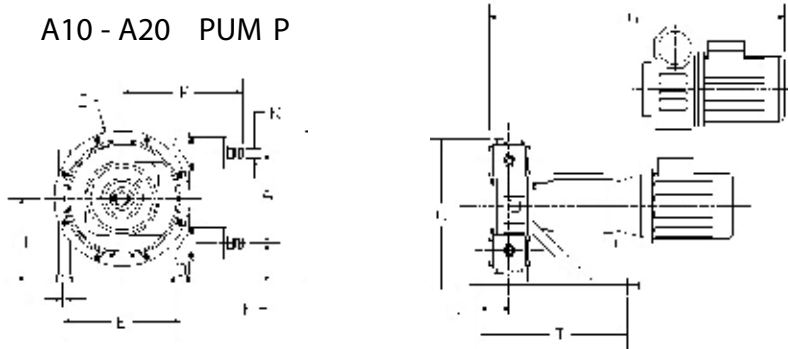
* Flow rates may vary depending upon application.

* The maximum rotation speeds (in continuous or intermittent use) indicated above vary as a function of the differential pressure and temperature of the pumped liquid.

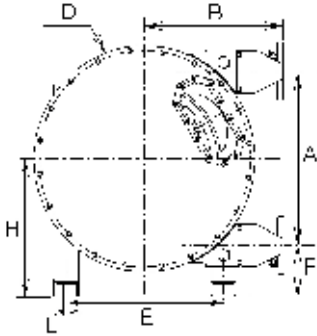


ABAQUE Peristaltic Hose Pump

A10 - A20 PUM P

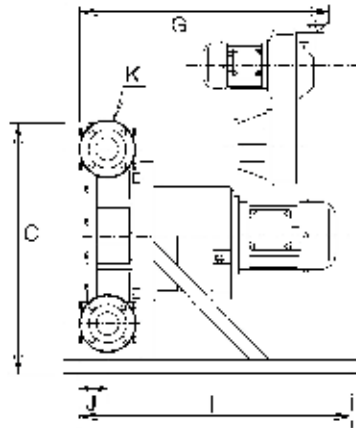


A25 - A125 PUM P



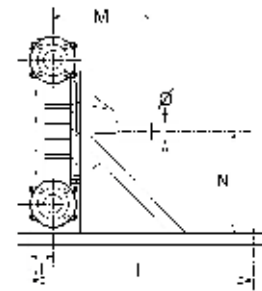
A series (close-coupled)

A25 - A100 PUM P



A series (close-coupled)

AS25 - A125 PUM P



AS SERIES (bare shaft)

DIMENSIONS (millimeters)

POMPE	A	B (PN16/PN20)	C	D	E	F	G*	H	I	J	K** (PN16/PN20)	L	M	N	DIAM.	WEIGHT ***(kg)
A10/AS10	115	196	215	190	168	62.5	605	120	310	64	16	9	147	105	10	15
A20/AS20	192	259	325	290	249	84	650	180	310	56.5	25	9	181.5	165	20	26
A25/AS25	262	311/311	415	380	220	94	835	225	570	96	115/110	15	205.5	195	25	56
A40/AS40	330	382.5/383.5	524	476	315	121	1020	286	660	129	150/130	15	272.5	256	38	102
AX40/ASX40	430	416/417	616	582	340	110	865	325	950	90	150/130	15	254.5	280	40	130
A65/AS65	554	455/459	802	720	509	165	1060	442	950	155	185/180	19	317	397	60	244
AX80/ASX80	746	584/590	1004	946	580	158	1250	531	1100	120	200/190	19	400	481	80	457
A80/AS80	876	733/739	1255	1110	690	262	1435	700	1300	205.5	200/190	28	451	640	80	790
A100/AS100	1040	820/825	1505	1370	820	300	1500	820	1900	295	220/230	28	572	760	100	963
A125	1280	958/964	1685	1570	1000	260	****	900	1750	318	250/255	28	675	830	125	1481

* Gear motor - actual dimensions may vary with final selection ** A25 - AS125 available in ANSI 150 or DIN Flanges; A10-A20 use Hose Barb Connections

*** Weight is of AS models (for reference only) **** Not currently offered in a close option

ALL INFORMATION IS SUBJECT TO CHANGE

Mouvex reserves the right to modify the information and illustrations contained in this document without prior notice. This is a not-contractual document. 02/2009



ZI la Plaine des Isles
rue des Caillottes
89000 AUXERRE - FRANCE
T + 33.3.86.49.86.30
F + 33.3.86.46.42.10
contact@mouvex.com

www.mouvex.com



Distributed by :

3, Poruchik Nedelcho Bonchev Str., fl. 5
1528 Sofia, Bulgaria
tel: +359 2 973 27 67
e-mail: office@daisglobal.eu