

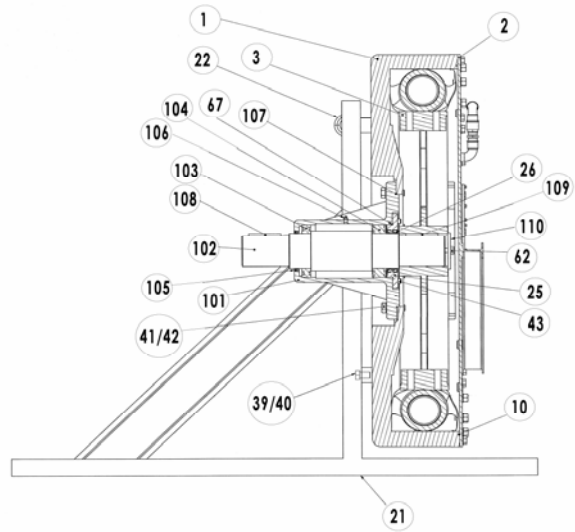
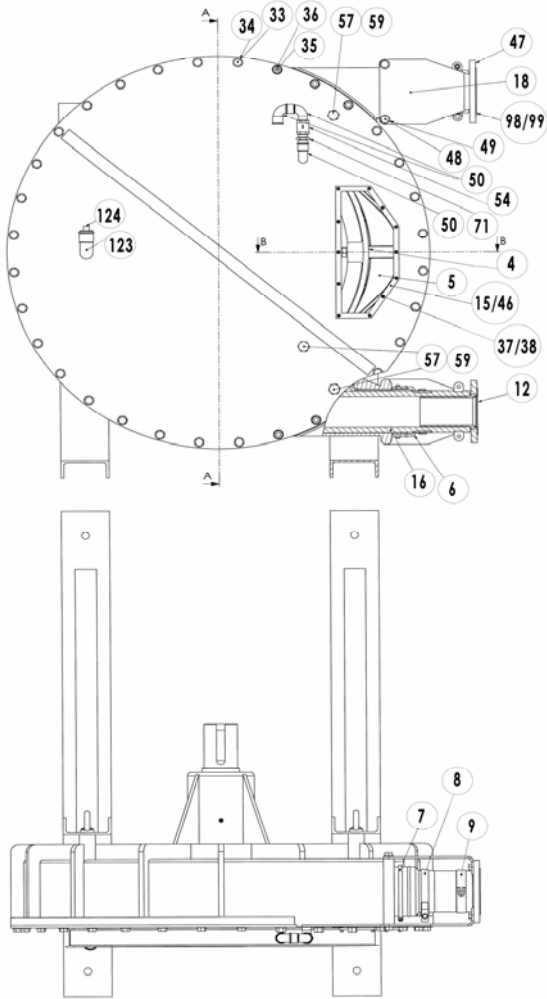
**MOUVEX**  
MODEL :

**PARTS LIST**  
**AS125**

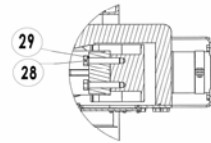
P.L. : 1101-P02

(See Instructions 1101-P00 for Installation, Operation and Maintenance)

Section Effective	1101 June 2011
Replaces	October 2010



COUPE A-A



COUPE B-B

Reference			Description	Variants	Quantity		Article code	Wear parts
Ass.	Part	Available			Order	In Pump	AS125	
	3	▲	Wheel		1		217297	
	10	▲	Cover seal		1		220205	•
	12	▲	Insert	Stainless steel	1	2	217334	
	1100	▲	Lubricant - Glycerin	30 liters	1		314224.00	•
	15	▲	Window		1		220212	
	16	▲	Hose	NR	1		218751	•
	16	▲	Hose	NBR	1		218752	•
	16	▲	Hose	EPDM	1		218753	•
	18	▲	Bracket		1	4	219104	
	46	▲	Window seal		1		217400	
114	4	◆	<b>Set of shims</b> Removable shim		1	(14)	312364.00	
116	62 110	◆	<b>Wheel fixation kit</b> Screw Washer		1	(1) (1)	312810.00	
117	25 26 43 67 101 102 103 104 105 106 107 108 109	◆	<b>Bearing box</b> Tightness cover Shaft seal Screw Seal Bearing box Pump Shaft Bearing Bearing Seal Grease nipple Seal Key Key		1	(1) (2) (8) (1) (1) (1) (1) (1) (1) (1) (1) (1) (1) (1)	312819.00	

Reference			Description	Variants	Quantity		Article code	Wear parts
Ass.	Part	Available			Order	In Pump	AS125	
118	6+7	◆	<b>Boot + Hose clamp</b>		1		312816.00	
	8		Nipple + Hose clamp			(2)		
	9		Hose clamp			(2)		
			Hose clamp			(2)		
119	4a	◆	<b>Set of shoes</b>	Iron	1		312821.00	
	4b		Fixed shim			(8)		
	5		Fixed shim			(4)		
			Shoe			(2)		
130	50	◆	<b>Puncture detection kit</b>		1		311839.00	
	54		Elbow	(1)				
	71		Valve	(1)				
	72		Fitting	(2)				
	73		Tee	(1)				
	76		Elbow	(1)				
	77		Fitting	(1)				
	78		Connector	(1)				
			Capacitive detector	(1)				
130	50	◆	<b>Puncture detection kit ATEX</b>		1		313746.00	
	54		Elbow	(1)				
	71		Valve	(1)				
	72		Fitting	(2)				
	73		Tee	(1)				
	76		Elbow	(1)				
	77		Fitting	(1)				
	78		Connector	(1)				
	84		Capacitive detector	(1)				
			Amplifier	(1)				

(◆) To order the required spare parts, indicate the appropriate CUM numbers.

Keep this parts lists with Installation, Operation and Maintenance Instructions.

CVT : FEP encapsulated FKM



Z.I. la Plaine des Isles - 2 rue des Caillottes F-89000 AUXERRE - FRANCE  
 Tel : +33 (0)3 86 49 86 30 • Fax : +33 (0)3 86 49 87 17  
 contact@mouvex.com • www.mouvex.com



3, Poruchik Nedelcho Bonchev Str., fl. 5  
 1528 Sofia, Bulgaria  
 tel: +359 2 973 27 67  
 e-mail: office@daisglobal.eu