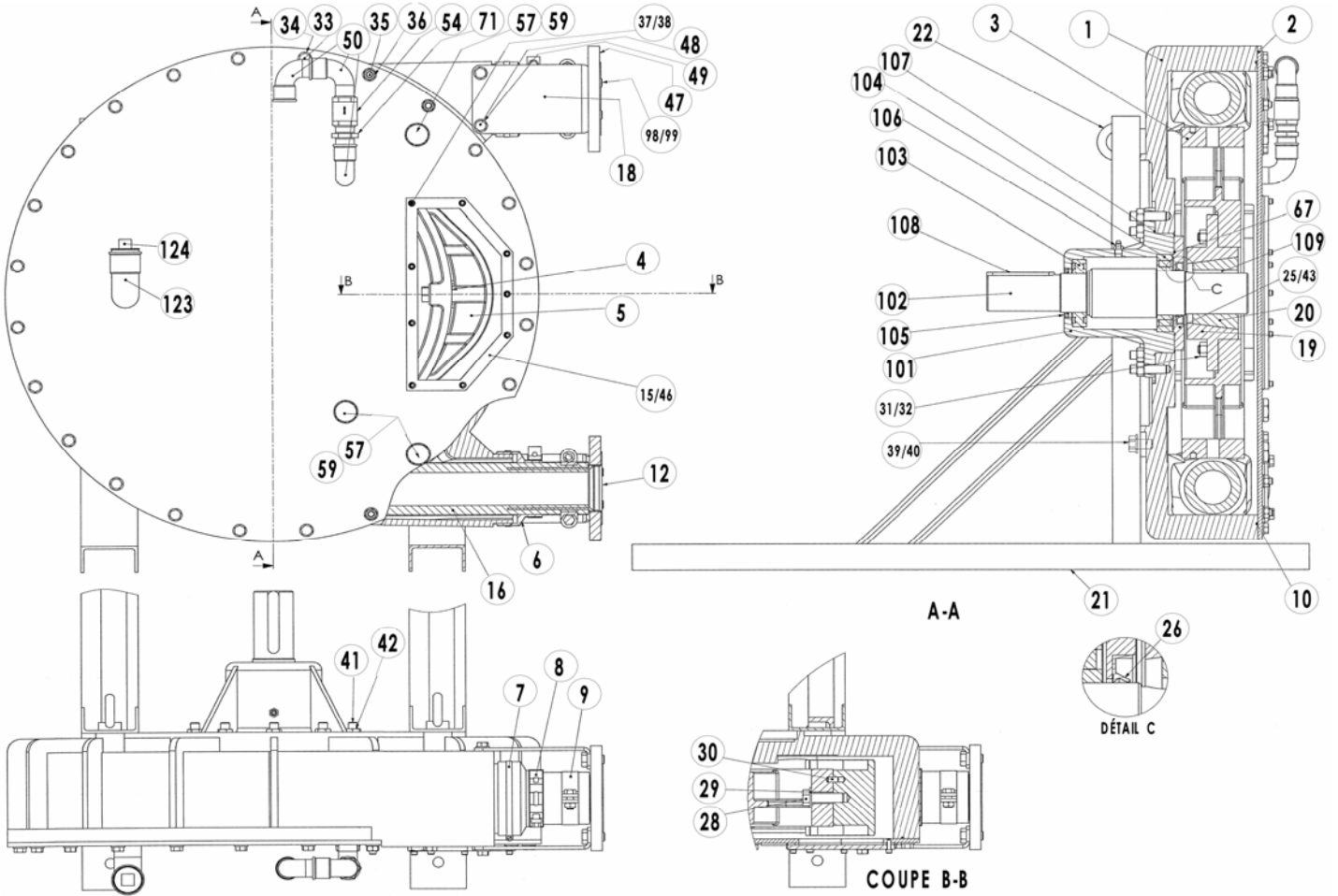


(See Instructions 1101-M00 for Installation, Operation and Maintenance)

Section	1101
Effective	June 2011
Replaces	July 2010



Reference			Description	Variants	Quantity		Article code ASX80	Wear parts
Ass.	Part	Available			Order	In Pump		
	3	▲	Wheel		1		219658	
	10	▲	Cover seal		1		220202	•
	12	▲	Insert	Stainless steel	1	2	217328	•
	1100	▲	Lubricant - Glycerin	10 liters	1		314223.00	•
	1100	▲	Lubricant - Glycerin	30 liters	1		314224.00	•
	15	▲	Window		1		220210	
	16	▲	Hose	NR	1		218742	•
	16	▲	Hose	NBR	1		218743	•
	16	▲	Hose	EPDM	1		218744	•
	18	▲	Bracket	Flange PN16	1	4	217139	
	18	▲	Bracket	Flange PN20	1	4	219101	
	20	▲	Hub		1		217158	
	46	▲	Window seal		1		217398	
114	4	◆	Set of shims Removable shim		1	(12)	312361.00	

Reference			Description	Variants	Quantity		Article code	Wear parts
Ass.	Part	Available			Order	In Pump	ASX80	
116		◆	Wheel fixation kit		1		313044.00	
	19		Plate to be screwed			(1)		
	31		Screw			(6)		
	32		Nut			(6)		
117		◆	Bearing box		1		312794.00	
	25		Tightness cover			(1)		
	26		Shaft seal			(1)		
	43		Screw			(8)		
	67		Seal			(1)		
	101		Bearing box			(1)		
	102		Pump Shaft			(1)		
	103		Bearing			(1)		
	104		Bearing			(1)		
	105		Seal			(1)		
	106		Grease nipple			(1)		
	107		Seal			(1)		
	108		Key			(1)		
	109		Key			(1)		
112		Spacer			(1)			
113		Spacer			(1)			
118		◆	Boot + Hose clamp		1		312793.00	
	6		Nipple			(2)		
	7		Hose clamp			(2)		
	8		Hose clamp			(2)		
119		◆	Set of shoes	Aluminium	1		312795.00	
	4a		Fixed shim			(6)		
	4b		Fixed shim			(4)		
	5		Shoe			(2)		
130		◆	Puncture detection kit		1		311839.00	
	50		Elbow			(1)		
	54		Valve			(1)		
	71		Fitting			(2)		
130		◆	Puncture detection kit ATEX		1		313746.00	
	50		Elbow			(1)		
	54		Valve			(1)		
	71		Fitting			(2)		
	72		Tee			(1)		
	73		Elbow			(1)		
	76		Fitting			(1)		
	77		Connector			(1)		
78		Capacitive detector			(1)			
84		Amplifier			(1)			

(◆) To order the required spare parts, indicate the appropriate CUM numbers.

Keep this parts lists with Installation, Operation and Maintenance Instructions.

CVT : FEP encapsulated FKM



Z.I. la Plaine des Isles - 2 rue des Caillottes F-89000 AUXERRE - FRANCE

Tel : +33 (0)3 86 49 86 30 • Fax : +33 (0)3 86 49 87 17

contact@mouvex.com • www.mouvex.com



3, Poruchik Nedelcho Bonchev Str., fl. 5

1528 Sofia, Bulgaria

tel: +359 2 973 27 67

e-mail: office@daisglobal.eu