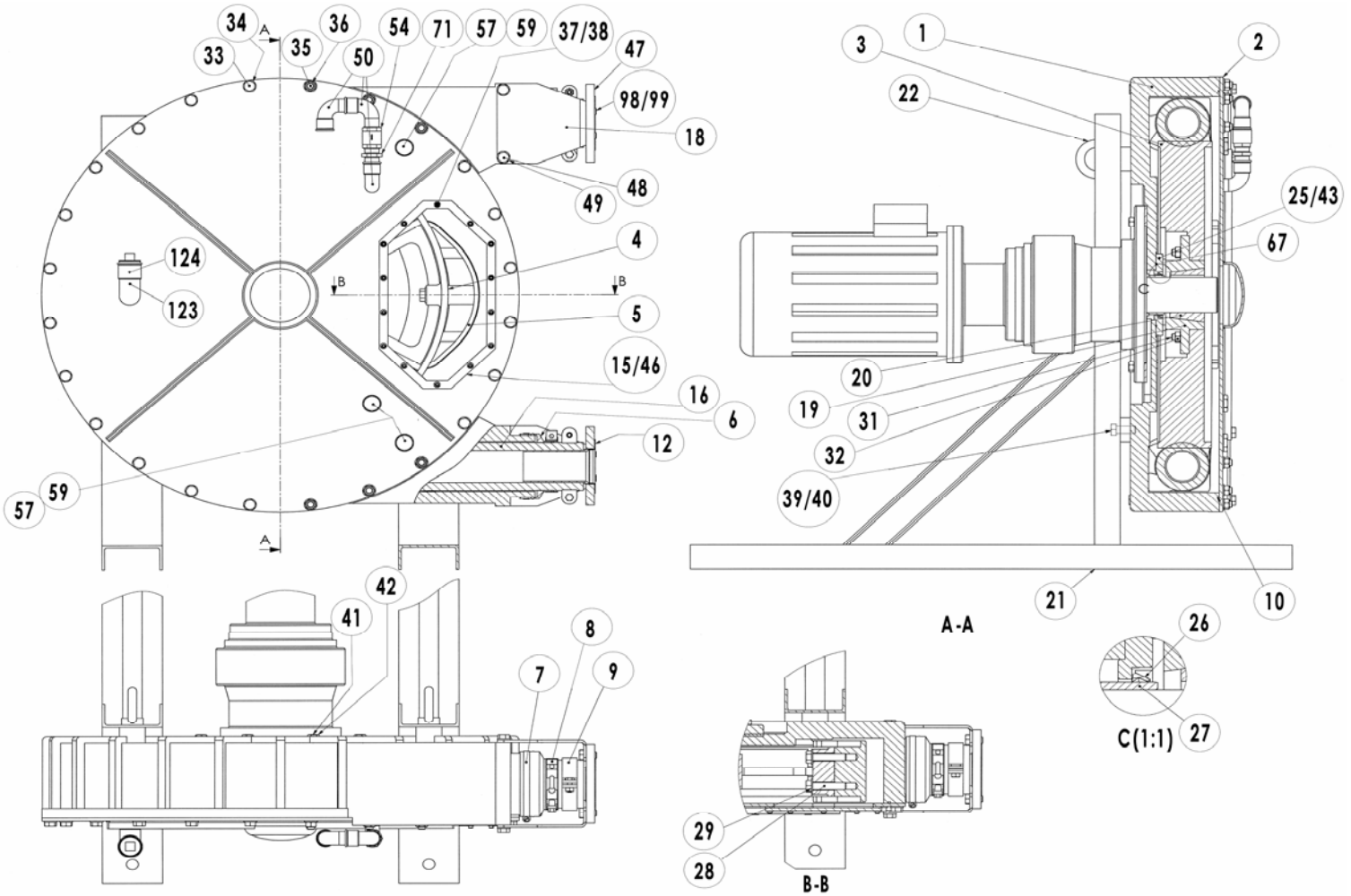


(See Instructions 1101-L00 for Installation, Operation and Maintenance)

Section	1101
Effective	June 2011
Replaces	July 2010



Reference			Description	Variants	Quantity		Article code	Wear parts
Ass.	Part	Available			Order	In Pump	A80	
	3	▲	Wheel		1		217293	
	10	▲	Cover seal		1		220203	•
	12	▲	Insert	Stainless steel	1	2	217328	
	12	▲	Insert	PPH	1	2	217329	
	1100	▲	Lubricant - Glycerin	10 liters	1		314223.00	•
	1100	▲	Lubricant - Glycerin	30 liters	1		314224.00	•
	15	▲	Window		1		220211	
	16	▲	Hose	NR	1		218745	•
	16	▲	Hose	NBR	1		218746	•
	16	▲	Hose	EPDM	1		218747	•
	18	▲	Bracket	Flange PN16	1	4	217140	
	18	▲	Bracket	Flange PN20	1	4	219102	
	46	▲	Window seal		1		217399	
114		◆	<b>Set of shims</b>		1		<b>312362.00</b>	
	4		Removable shim			(14)		

Reference			Description	Variants	Quantity		Article code	Wear parts
Ass.	Part	Available			Order	In Pump	A80	
116		◆	Wheel fixation kit	Shaft diameter 90	1		312797.00	
116		◆	Wheel fixation kit	Shaft diameter 100	1		312803.00	
	19		Plate to be screwed			(1)		
	20		Hub			(1)		
	25		Tightness cover			(1)		
	26		Shaft seal			(1)		
	27		Seal ring			(1)		
	31		Screw			(6)		
	32		Nut			(6)		
	43		Screw			(4)		
	67		Seal			(1)		
118		◆	Boot + Hose clamp		1		312799.00	
	6		Nipple			(2)		
	7		Hose clamp			(2)		
	8		Hose clamp			(2)		
	9		Hose clamp			(2)		
119		◆	Set of shoes	Aluminium	1		312801.00	
	4a		Fixed shim			(6)		
	4b		Fixed shim			(4)		
	5		Shoe			(2)		
125		◆	Shaft seal + bushing		1		314577.00	
	26		Shaft seal			(1)		
	27		Seal ring			(1)		
130		◆	Puncture detection kit		1		311839.00	
	50		Elbow			(1)		
	54		Valve			(1)		
	71		Fitting			(2)		
	72		Tee			(1)		
	73		Elbow			(1)		
	76		Fitting			(1)		
	77		Connector			(1)		
	78		Capacitive detector			(1)		
130		◆	Puncture detection kit ATEX		1		313746.00	
	50		Elbow			(1)		
	54		Valve			(1)		
	71		Fitting			(2)		
	72		Tee			(1)		
	73		Elbow			(1)		
	76		Fitting			(1)		
	77		Connector			(1)		
	78		Capacitive detector			(1)		
	84		Amplifier			(1)		

(◆) To order the required spare parts, indicate the appropriate CUM numbers.

Keep this parts lists with Installation, Operation and Maintenance Instructions.

CVT : FEP encapsulated FKM



Z.I. la Plaine des Isles - 2 rue des Caillottes F-89000 AUXERRE - FRANCE

Tel : +33 (0)3 86 49 86 30 • Fax : +33 (0)3 86 49 87 17

contact@mouvex.com • www.mouvex.com



3, Poruchik Nedelcho Bonchev Str., fl. 5

1528 Sofia, Bulgaria

tel: +359 2 973 27 67

e-mail: office@daisglobal.eu