

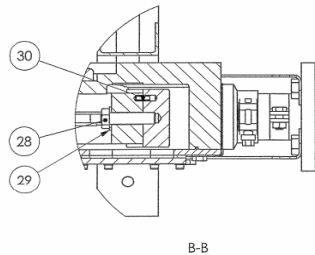
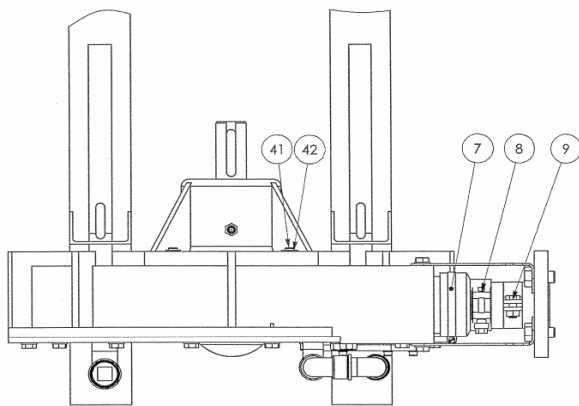
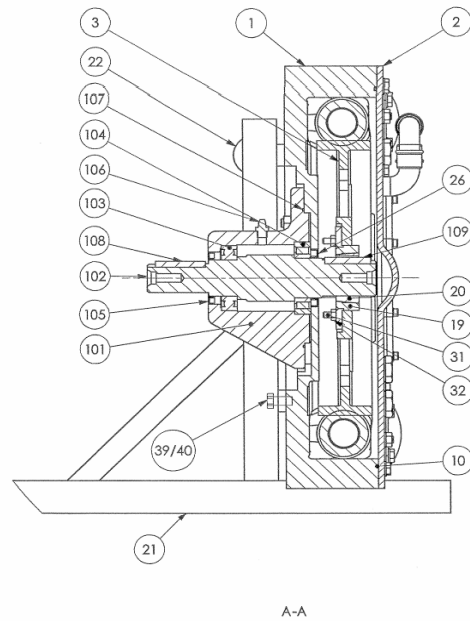
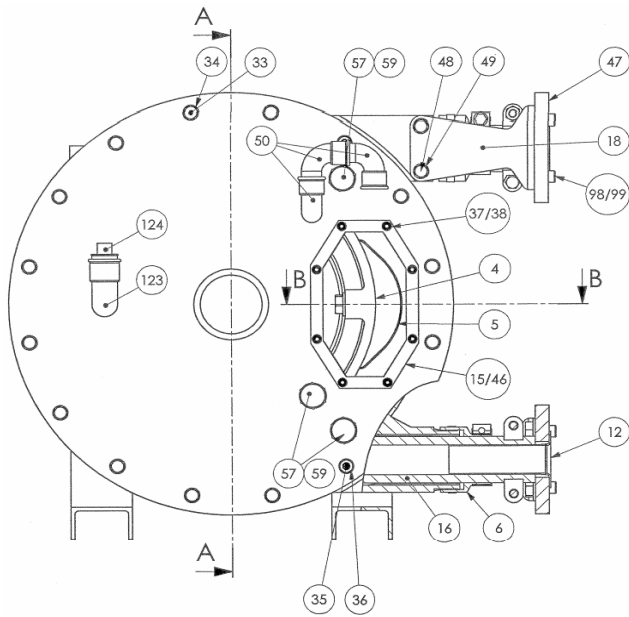
MOUVEX
MODEL :

PARTS LIST
ASX40

P.L. : 1101-G02

(See Instructions 1101-G00 for Installation, Operation and Maintenance)

Section Effective Replaces	1101 June 2011 July 2010
----------------------------	--------------------------------



Reference			Description	Variants	Quantity		Article code	Wear parts
Ass.	Part	Available			Order	In Pump	ASX40	
	3	▲	Wheel		1		217290	
	10	▲	Cover seal		1		220144	•
	12	▲	Insert	Stainless steel	1	2	217313	
	12	▲	Insert	PPH	1	2	217314	
	12	▲	Insert	PVDF	1	2	217315	
	1100	▲	Lubricant - Glycerin	5 liters	1		314222.00	•
	1100	▲	Lubricant - Glycerin	10 liters	1		314223.00	•
	15	▲	Window		1		220143	
	16	▲	Hose	NR	1		218730	•
	16	▲	Hose	NBR	1		218731	•
	16	▲	Hose	EPDM	1		218732	•
	18	▲	Bracket		1	4	219097	
	20	▲	Hub		1		217394	
	26	▲	Seal		1		220146	
	46	▲	Window seal		1		217396	
114	4	◆	Set of shims		1		312359.00	
			Removable shim			(12)		

Reference			Description	Variants	Quantity		Article code	Wear parts
Ass.	Part	Available			Order	In Pump	ASX40	
116	19 31 32	◆	Wheel fixation kit Plate to be screwed Screw Nut		1	(1) (6) (6)	313034.00	
117	101 102 103 104 105 106 107 108 109	◆	Bearing box Bearing box Pump Shaft Bearing Bearing Seal Grease nipple Seal Key Key		1	(1) (1) (1) (1) (1) (1) (1) (1) (1)	312747.00	
118	6 7 8 9	◆	Boot + Hose clamp Nipple Hose clamp Hose clamp Hose clamp		1	(2) (2) (2) (2)	312745.00	
119 119	4a 4b 5 30	◆ ◆	Aluminum shoes + shims Iron shoes + shims Fixed shim Fixed shim Shoe Pin		1 1	(4) (4) (2) (2)	312743.00 312744.00	
130	50 71 72 73 76 77 78	◆	Puncture detection kit Elbow Fitting Tee Elbow Fitting Connector Capacitive detector		1	(1) (1) (1) (1) (1) (1) (1)	311840.00	
130	50 71 72 73 76 77 78 84	◆	Puncture detection kit ATEX Elbow Fitting Tee Elbow Fitting Connector Capacitive detector Amplifier		1	(1) (1) (1) (1) (1) (1) (1) (1)	313739.00	

(◆) To order the required spare parts, indicate the appropriate CUM numbers.

Keep this parts lists with Installation, Operation and Maintenance Instructions.

CVT : FEP encapsulated FKM



Z.I. la Plaine des Isles - 2 rue des Caillottes F-89000 AUXERRE - FRANCE

Tel : +33 (0)3 86 49 86 30 • Fax : +33 (0)3 86 49 87 17
contact@mouvex.com • www.mouvex.com



3, Poruchik Nedelcho Bonchev Str., fl. 5
1528 Sofia, Bulgaria
tel: +359 2 973 27 67
e-mail: office@daisglobal.eu