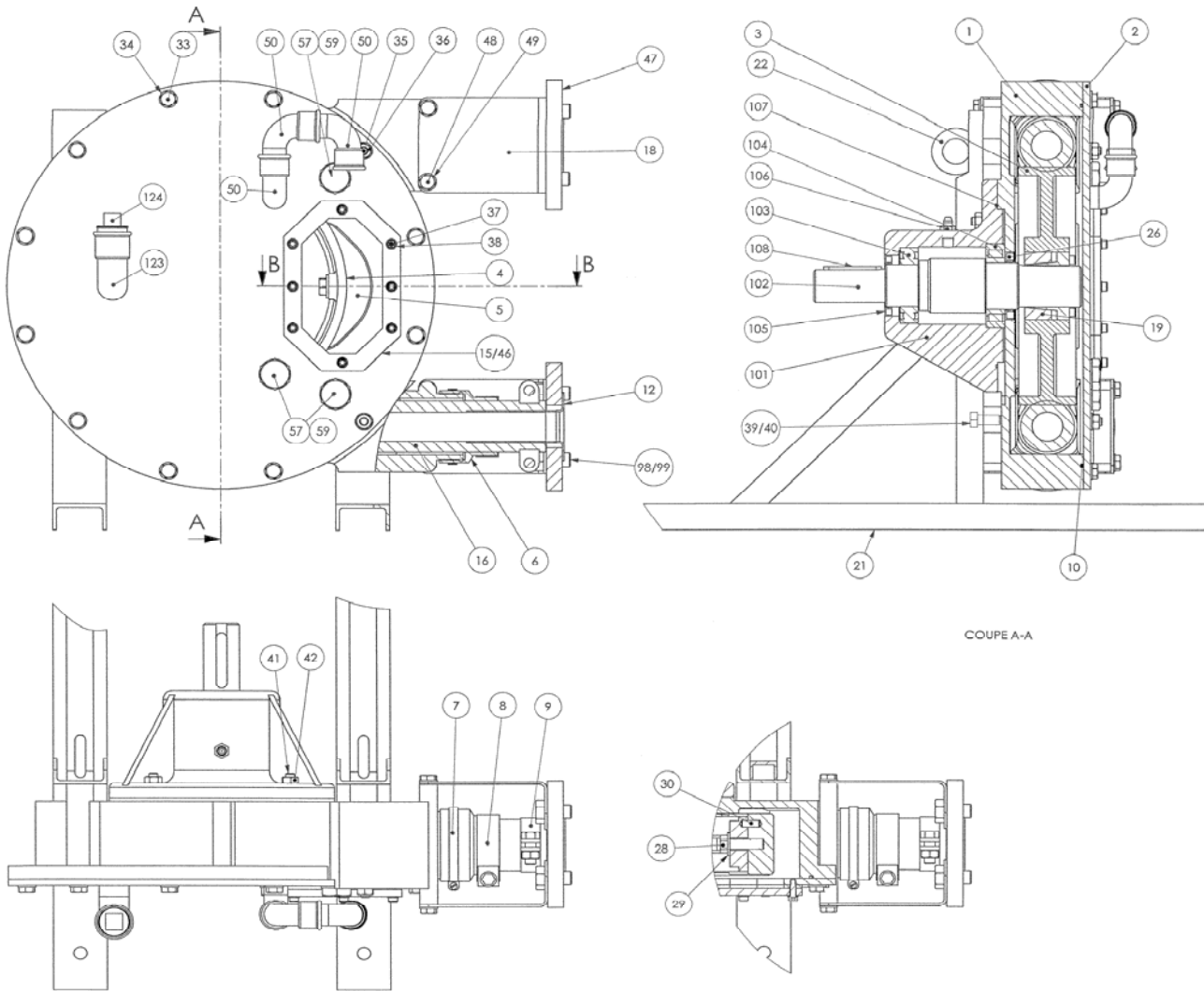


(See Instructions 1101-F00 for Installation, Operation and Maintenance)

Section  
Effective  
Replaces

1101  
June 2011  
July 2010



Reference			Description	Variants	Quantity		Article code	Wear parts
Ass.	Part	Available			Order	In Pump	AS40	
	3	▲	Wheel		1		218866	
	10	▲	Cover seal		1		220201	•
	12	▲	Insert	Stainless steel	1	2	217310	
	12	▲	Insert	PPH	1	2	217311	
	12	▲	Insert	PVDF	1	2	217312	
	1100	▲	Lubricant - Glycerin	2 liters	1		314221.00	•
	1100	▲	Lubricant - Glycerin	5 liters	1		314222.00	•
	15	▲	Window		1		220209	
	16	▲	Hose	NR	1		218727	•
	16	▲	Hose	NBR	1		218728	•
	16	▲	Hose	EPDM	1		218729	•
	18	▲	Bracket		1	4	219096	
	19	▲	Expansable taper lock		1		218863	
	26	▲	Shaft seal		1		219683	
	46	▲	Window seal		1		217395	
<b>114</b>		◆	<b>Set of shims</b>		<b>1</b>		<b>312358.00</b>	
	4		Removable shim			(12)		

Reference			Description	Variants	Quantity		Article code	Wear parts
Ass.	Part	Available			Order	In Pump	AS40	
117		◆	<b>Bearing box</b>		1		312747.00	
	101		Bearing box			(1)		
	102		Pump Shaft			(1)		
	103		Bearing			(1)		
	104		Bearing			(1)		
	105		Seal			(1)		
	106		Grease nipple			(1)		
	107		Seal			(1)		
	108		Key			(1)		
	109		Key			(1)		
118		◆	<b>Boot + Hose clamp</b>		1		312780.00	
	6		Nipple			(2)		
	7		Hose clamp			(2)		
	8		Hose clamp			(2)		
	9		Hose clamp			(2)		
119		◆	<b>Set of shoes</b>	Aluminium	1		312782.00	
119		◆	<b>Set of shoes</b>	Iron	1		312783.00	
	5		Shoe			(2)		
	30		Pin			(2)		
130		◆	<b>Puncture detection kit</b>		1		311840.00	
	50		Elbow			(1)		
	71		Fitting			(1)		
	72		Tee			(1)		
	73		Elbow			(1)		
	76		Fitting			(1)		
	77		Connector			(1)		
	78		Capacitive detector			(1)		
130		◆	<b>Puncture detection kit ATEX</b>		1		313739.00	
	50		Elbow			(1)		
	71		Fitting			(1)		
	72		Tee			(1)		
	73		Elbow			(1)		
	76		Fitting			(1)		
	77		Connector			(1)		
	78		Capacitive detector			(1)		
	84		Amplifier			(1)		

(◆) To order the required spare parts, indicate the appropriate CUM numbers.

Keep this parts lists with Installation, Operation and Maintenance Instructions.

CVT : FEP encapsulated FKM



Z.I. la Plaine des Isles - 2 rue des Caillottes F-89000 AUXERRE - FRANCE

Tel : +33 (0)3 86 49 86 30 • Fax : +33 (0)3 86 49 87 17

contact@mouvex.com • www.mouvex.com



3, Poruchik Nedelcho Bonchev Str., fl. 5

1528 Sofia, Bulgaria

tel: +359 2 973 27 67

e-mail: office@daisglobal.eu