

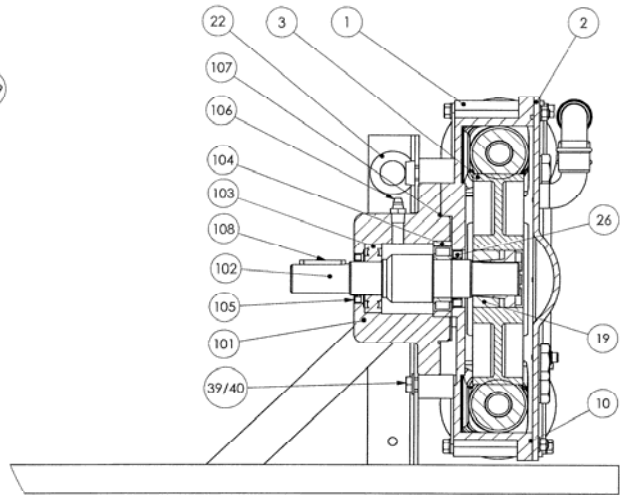
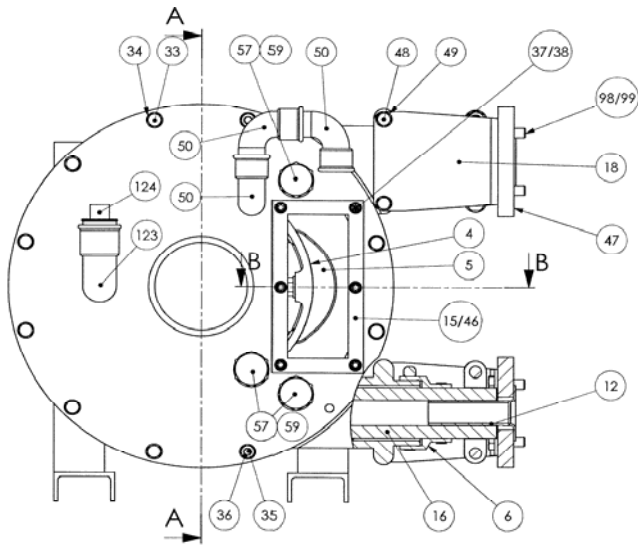
**MOUVEX**  
MODEL :

**PARTS LIST**  
**AS25**

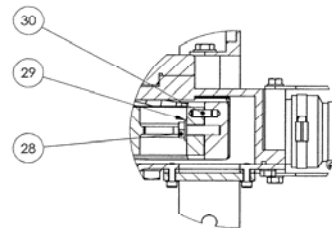
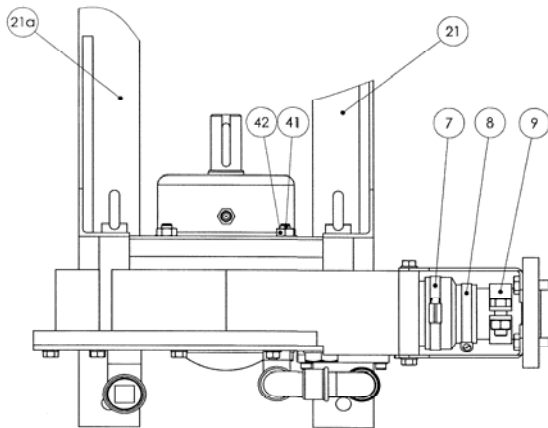
P.L. : 1101-D02

(See Instructions 1101-D00 for Installation, Operation and Maintenance)

Section	1101
Effective	June 2011
Replaces	July 2010



A-A



COUPE B-B

Reference			Description	Variants	Quantity		Article code	Wear parts
Ass.	Part	Available			Order	In Pump	AS25	
	3	▲	Wheel		1		218020	
	10	▲	Cover seal		1		220200	•
	12	▲	Insert	Stainless steel	1	2	217461	
	12	▲	Insert	PPH	1	2	217052	
	12	▲	Insert	PVDF	1	2	217053	
	1100	▲	Lubricant - Glycerin	2 liters	1		314221.00	•
	1100	▲	Lubricant - Glycerin	5 liters	1		314222.00	•
	15	▲	Window		1		220208	
	16	▲	Hose	NR	1		218721	•
	16	▲	Hose	NBR	1		218722	•
	16	▲	Hose	EPDM	1		218723	•
	18	▲	Bracket		1	4	219094	
	19	▲	Expansable taper lock		1		218022	
	26	▲	Shaft seal		1		220215	
	46	▲	Window seal		1		217040	
<b>114</b>		◆	<b>Set of shims</b>		<b>1</b>		<b>312357.00</b>	
	4		Removable shim			(12)		

Reference			Description	Variants	Quantity		Article code	Wear parts
Ass.	Part	Available			Order	In Pump	AS25	
117		◆	<b>Bearing box</b>		1		312790.00	
	101		Bearing box			(1)		
	102		Pump Shaft			(1)		
	103		Bearing			(1)		
	104		Bearing			(1)		
	105		Seal			(1)		
	106		Grease nipple			(1)		
	107		Seal			(1)		
	108		Key			(1)		
118		◆	<b>Boot + Hose clamp</b>		1		312787.00	
	6		Nipple			(2)		
	7		Hose clamp			(2)		
	8		Hose clamp			(2)		
	9		Hose clamp			(2)		
119		◆	<b>Set of shoes</b>	Aluminium	1		312788.00	
119		◆	<b>Set of shoes</b>	Iron	1		312789.00	
	5		Shoe			(2)		
	30		Pin			(2)		
130		◆	<b>Puncture detection kit</b>		1		311840.00	
	50		Elbow			(1)		
	71		Fitting			(1)		
	72		Tee			(1)		
	73		Elbow			(1)		
	76		Fitting			(1)		
	77		Connector			(1)		
	78		Capacitive detector			(1)		
130		◆	<b>Puncture detection kit ATEX</b>		1		313739.00	
	50		Elbow			(1)		
	71		Fitting			(1)		
	72		Tee			(1)		
	73		Elbow			(1)		
	76		Fitting			(1)		
	77		Connector			(1)		
	78		Capacitive detector			(1)		
	84		Amplifier			(1)		

(◆) To order the required spare parts, indicate the appropriate CUM numbers.

Keep this parts lists with Installation, Operation and Maintenance Instructions.

CVT : FEP encapsulated FKM



Z.I. la Plaine des Isles - 2 rue des Caillottes F-89000 AUXERRE - FRANCE

Tel : +33 (0)3 86 49 86 30 • Fax : +33 (0)3 86 49 87 17

contact@mouvex.com • www.mouvex.com



3, Poruchik Nedelcho Bonchev Str., fl. 5

1528 Sofia, Bulgaria

tel: +359 2 973 27 67

e-mail: office@daisglobal.eu