

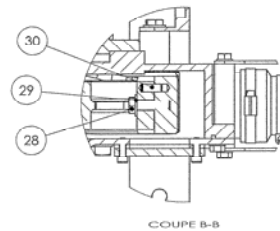
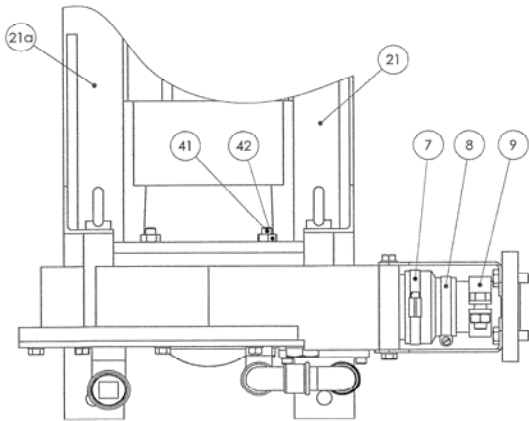
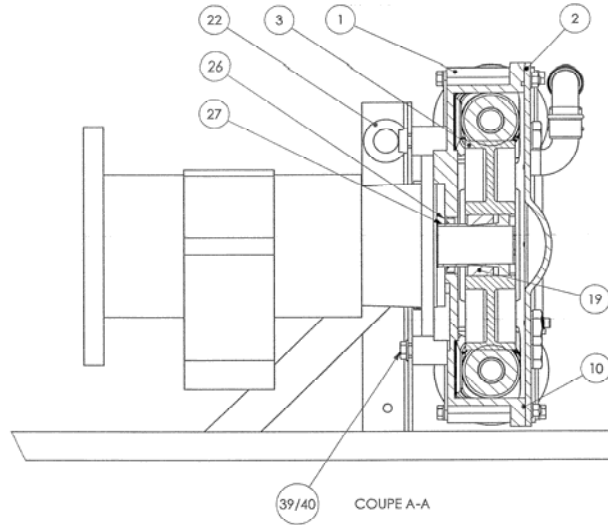
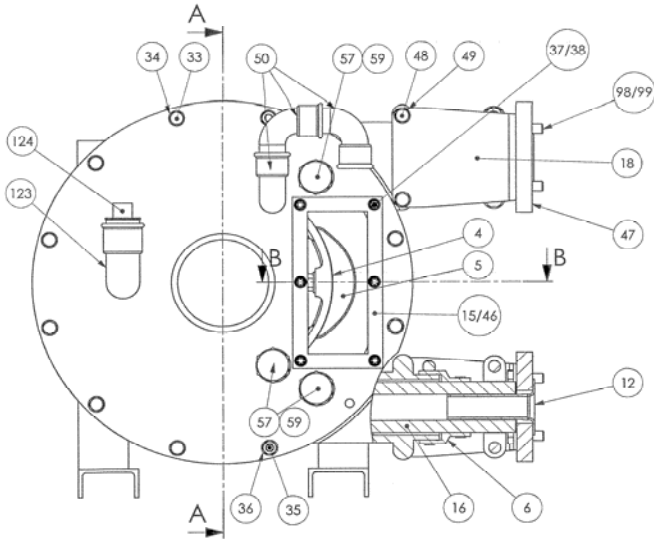
MOUVEX
MODEL :

PARTS LIST
A25

P.L. : 1101-D01

(See Instructions 1101-D00 for Installation, Operation and Maintenance)

Section	1101
Effective	June 2011
Replaces	July 2010



Reference			Description	Variants	Quantity		Article code	Wear parts
Ass.	Part	Available			Order	In Pump	A25	
	3	▲	Wheel		1		218019	
	10	▲	Cover seal		1		220200	•
	12	▲	Insert	Stainless steel	1	2	217461	
	12	▲	Insert	PPH	1	2	217052	
	12	▲	Insert	PVDF	1	2	217053	
	1100	▲	Lubricant - Glycerin	1 liter	1		314220.00	•
	1100	▲	Lubricant - Glycerin	2 liters	1		314221.00	•
	15	▲	Window		1		220208	
	16	▲	Hose	NR	1		218721	•
	16	▲	Hose	NBR	1		218722	•
	16	▲	Hose	EPDM	1		218723	•
	18	▲	Bracket		1	4	219094	
	19	▲	Expansable taper lock		1		218861	
	46	▲	Window seal		1		217040	
114		◆	Set of shims		1		312357.00	
	4		Removable shim			(12)		
118		◆	Boot + Hose clamp		1		312787.00	
	6		Nipple			(2)		
	7		Hose clamp			(2)		
	9		Hose clamp			(2)		
	8		Hose clamp			(2)		

Reference			Description	Variants	Quantity		Article code	Wear parts
Ass.	Part	Available			Order	In Pump	A25	
119		◆	Set of shoes	Aluminium	1		312788.00	
119	5 30	◆	Set of shoes Shoe Pin	Iron	1	(2) (2)	312789.00	
125	26 27	◆	Shaft seal + bushing Shaft seal Seal ring		1	(1) (1)	313026.00	
130	50 71 72 73 76 77 78	◆	Puncture detection kit Elbow Fitting Tee Elbow Fitting Connector Capacitive detector		1	(1) (1) (1) (1) (1) (1) (1)	311840.00	
130	50 71 72 73 76 77 78 84	◆	Puncture detection kit ATEX Elbow Fitting Tee Elbow Fitting Connector Capacitive detector Amplifier		1	(1) (1) (1) (1) (1) (1) (1) (1)	313739.00	

(◆) To order the required spare parts, indicate the appropriate CUM numbers.

Keep this parts lists with Installation, Operation and Maintenance Instructions.

CVT : FEP encapsulated FKM



Z.I. la Plaine des Isles - 2 rue des Caillottes F-89000 AUXERRE - FRANCE

Tel : +33 (0)3 86 49 86 30 • Fax : +33 (0)3 86 49 87 17

contact@mouvex.com • www.mouvex.com



3, Poruchik Nedelcho Bonchev Str., fl. 5

1528 Sofia, Bulgaria

tel: +359 2 973 27 67

e-mail: office@daisglobal.eu