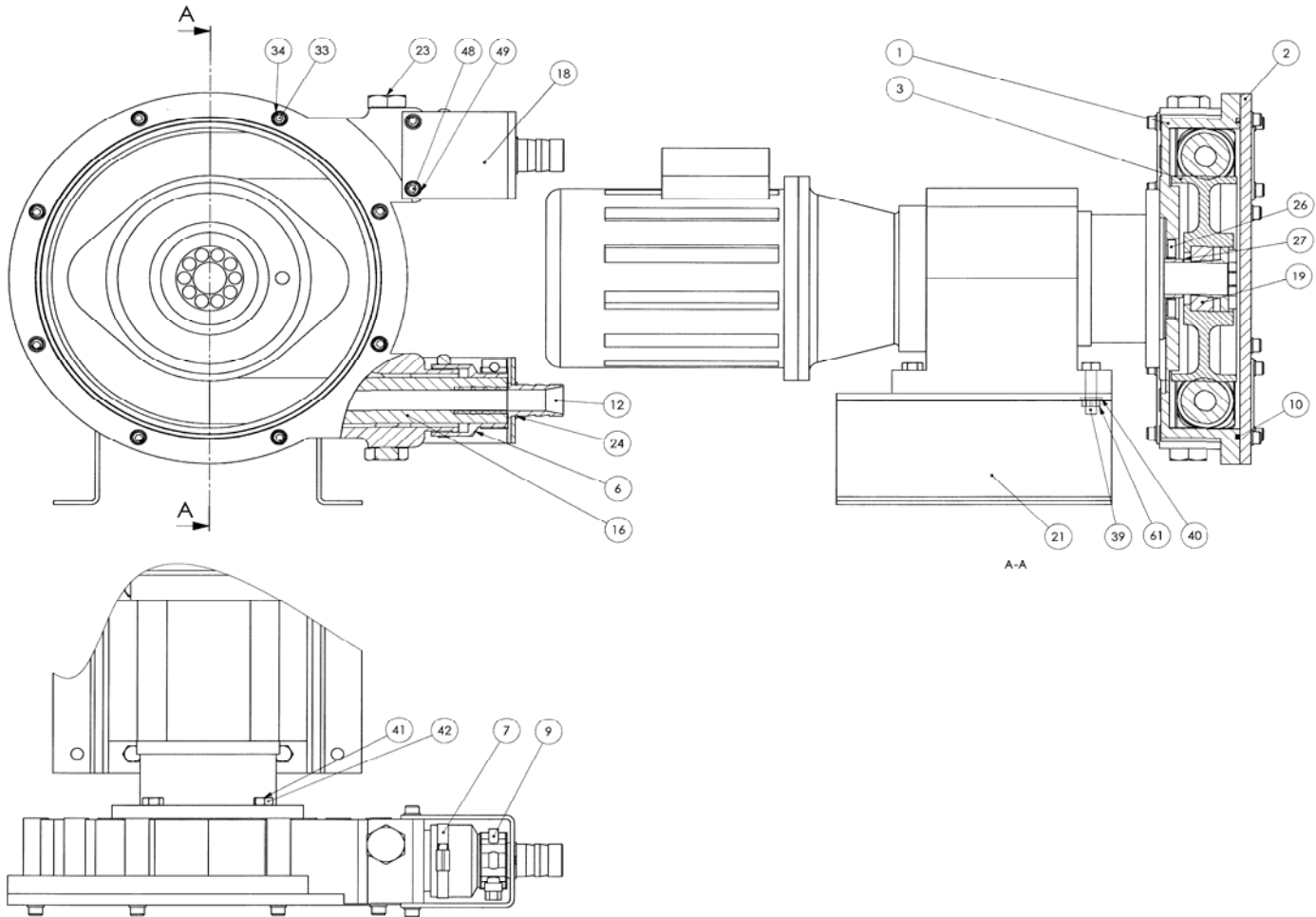


(See Instructions 1101-C00 for Installation, Operation and Maintenance)

Section	1101
Effective	June 2011
Replaces	December 2008



Reference			Description	Variants	Quantity		Article code	Wear parts
Ass.	Part	Available			Order	In Pump	A20	
	2	▲	Cover		1		220207	
	3	▲	Wheel		1		217288	
	10	▲	Cover seal		1		220199	•
	12	▲	Insert	Stainless steel	1	2	217304	
	12	▲	Insert	PPH	1	2	217305	
	12	▲	Insert	PVDF	1	2	217306	
	1100	▲	Lubricant - Glycerin	1 liter	1		314220.00	•
	1100	▲	Lubricant - Glycerin	2 liters	1		314221.00	•
	16	▲	Hose	NR	1		218941	•
	16	▲	Hose	NBR	1		218942	•
	16	▲	Hose	EPDM	1		218943	•
	18	▲	Bracket		1	2	217132	
	19	▲	Expansable taper lock		1		217778	

Reference			Description	Variants	Quantity		Article code	Wear parts
Ass.	Part	Available			Order	In Pump	A20	
118	6	◆	Boot + Hose clamp Nipple		1	(2)	312818.00	
	7					(2)		
	9					(2)		
125	26	◆	Shaft seal + bushing Shaft seal		1	(1)	313023.00	
	27					(1)		
130	71	◆	Puncture detection kit Fitting		1	(1)	312146.00	
	72					(1)		
	73					(2)		
	76					(1)		
	77					(1)		
	78					(1)		
130	71	◆	Puncture detection kit ATEX Fitting		1	(1)	314462.00	
	72					(1)		
	73					(2)		
	76					(1)		
	77					(1)		
	78					(1)		
	84					(1)		

(◆) To order the required spare parts, indicate the appropriate CUM numbers.

Keep this parts lists with Installation, Operation and Maintenance Instructions.

CVT : FEP encapsulated FKM



Z.I. la Plaine des Isles - 2 rue des Caillottes F-89000 AUXERRE - FRANCE

Tel : +33 (0)3 86 49 86 30 • Fax : +33 (0)3 86 49 87 17

contact@mouvex.com • www.mouvex.com



3, Poruchik Nedelcho Bonchev Str., fl. 5

1528 Sofia, Bulgaria

tel: +359 2 973 27 67

e-mail: office@daisglobal.eu