

## OPW Autogas OT300 Series LPG Nozzle

The B/N OPW Autogas OT300 is designed for the Italian-Type coupling. Nozzle inlet has 1NPT threads. All B/N OPW LPG fueling nozzles are built to exacting engineering specifications for fueling safety and efficiency.

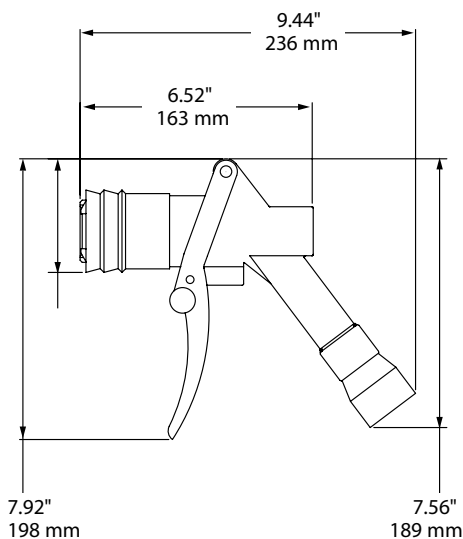


OT420  
Rubber Cover

OT300 connects to Italian Dish Coupler (Shown Below)



OT300



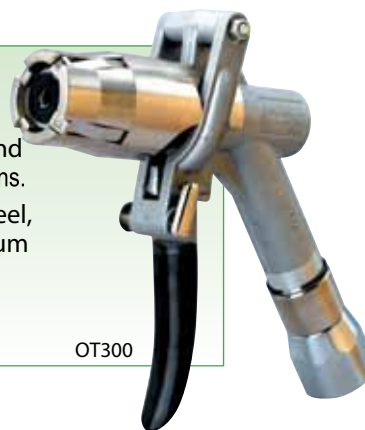
### Materials

Body: Aluminum  
 Internal Components: Brass and steel  
 Seals: Specially formulated polymers and elastomers specific to LPG applications.  
 External Components: Brass, stainless steel, anodized aluminum

OT321



OT300



### Features

- ◆ User-Friendly Single-Action Operation – entire fueling operation is initiated by simply engaging nozzle to the receptacle with a single squeeze of the hand.
- ◆ Hammer-Lock Technology maximum durability. Designed specifically for frequent coupling and uncoupling.
- ◆ Ergonomic Design –insulated handle protects operator from temperature effects created by high-flowing LP gas. Minimal force required to engage nozzle.
- ◆ Durable Construction heavy-duty brass, aluminum and stainless steel construction provides excellent corrosion resistance in the harsh fueling environment.
- ◆ Ease of Use – Incorporates a single plane 360° inlet swivel.
- ◆ Safety – will not dispense gas until securely engaged onto an appropriate receptacle. Once engaged, will not disengaged until released by operator.
- ◆ Individually Leak Tested and Inspected with Traceable Serial Numbers
- ◆ Replaceable Rubber Cover – Deflects venting LP gas away from operator's hand.

### Specifications:

Maximum Operating Pressure: 350 ps2# bar)  
 LPG Discharge on Disconnect: 4.3cc  
 Weight: 3.08 lbs. (1.40 kg)  
 Locking Release: Trigger or Lever  
 Coupling Style: Italian Style  
 Temperature Range: 40° F to 185° F  
 (-40° C to 85° C)

Also available in brass models.

### Ordering Specifications

Product No.	Inlet Thread Size	Max. Allowable Service Pressure
OT300	1" NPT	350 psi 24 bar
OT321	3/4" NPT Adaptor	

All LPG Autogas nozzles are available in BSP and NPT threads.

Distributed by:



3, Poruchik Nedelcho Bonchev Str., fl. 5  
 1528 Sofia, Bulgaria  
 tel: +359 2 973 27 67  
 e-mail: office@daisglobal.eu