

Materials

Body: Aluminum
 Internal Components: Brass and steel
 Seals: Specially formulated polymers and elastomers specific to LPG applications.
 External Components: Aluminum, stainless steel, brass

OT321



NOT300



OPW Autogas NOT300 Series LPG Nozzle

The B/N OPW Autogas NOT300 with Trigger Release is the NEW B/N design for the Italian-Type coupling. Nozzle inlet has 1NPT threads. All B/N OPW LPG fueling nozzles are built to exacting engineering specifications for fueling safety and efficiency.

Features

- ◆ User-Friendly Single-Action Operation – entire fueling operation is initiated by simply engaging nozzle and receptacle with a single squeeze of the hand.
- ◆ Nozzle Lock – nozzle is safely locked into the fueling position until trigger on the lever is pushed to release nozzle.
- ◆ Hammer-Lock Technology maximum durability. Designed specifically for frequent coupling and uncoupling.
- ◆ Durable Construction heavy-duty brass, aluminum and stainless steel construction provides excellent corrosion resistance in the harsh fueling environment.
- ◆ Ease of Use – incorporates a single plane 360° inlet swivel.
- ◆ Safety – will not dispense gas until securely engaged onto an appropriate receptacle.
- ◆ Individually Leak Tested and Inspected with Traceable Serial Numbers
- ◆ Replaceable Rubber Cover – deflects venting LP gas away from operator's hand.
- ◆ Ergonomic Design –insulated handle protects operator from temperature effects created by high-flowing LP gas. Minimal force required to engage nozzle.

Specifications:

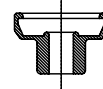
Maximum Operating Pressure: 350 psi (24 bar)
 LPG Discharge on Disconnect: 4.3cc
 Weight: 3.43 lbs. (1.56 kg)
 Locking Release: Trigger on Lever
 Coupling Style: Italian Style
 Temperature Range: 40° F to 185° F C (-40° C to 85°)

Also available in brass models.

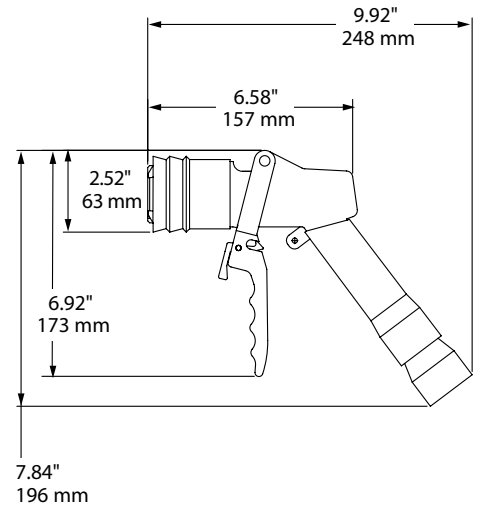


OT420 Rubber Cover

NOT300 connects to Italian Dish Coupler (Shown Below)



NOT300



Ordering Specifications

Product No.	Inlet Thread Size	Max. Allowable Service Pressure
NOT300	1" NPT	350 psi / 24 bar
OT321	3/4" NPT Adaptor	

All LPG Autogas nozzles are available in BSP and NPT threads.

Distributed by:



3, Poruchik Nedelcho Bonchev Str., fl. 5
 1528 Sofia, Bulgaria
 tel: +359 2 973 27 67
 e-mail: office@daisglobal.eu

