

# 3/4" Rotogages® for Small Stationary and Mobile LP-Gas Containers 2070 Series

## Application

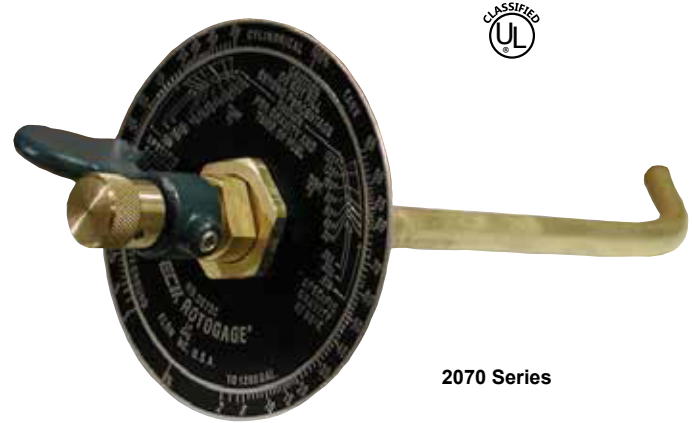
Rotogages® are designed to provide accurate determination of LP-Gas container contents. They may be end or side mounted in a standard 3/4" NPT coupling on stationary or mobile containers. To guarantee accurate measurement, they should not be used on stationary containers that exceed 60" I.D. or on mobile containers, subject to vibration, with an I.D. of more than 24".

## Features

- Provides long, trouble-free performance and ease of operation.
- Polished stems assure bind-proof operation.
- Dial face is dual calibrated to provide greater accuracy in reading contents in containers which are not level.

## Materials

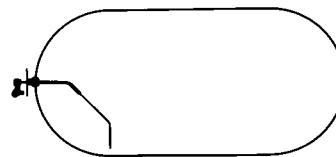
Body ..... Brass  
 Stem ..... Brass Tubing  
 Dip Tube ..... Seamless Brass Tubing  
 Dial Plate ..... Aluminium  
 Indicator ..... Malleable Iron



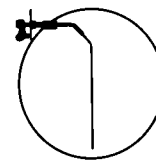
2070 Series



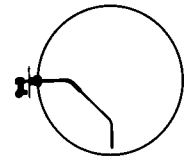
## 2070 Series Rotogage® Mounting Positions



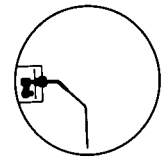
End at Center Line



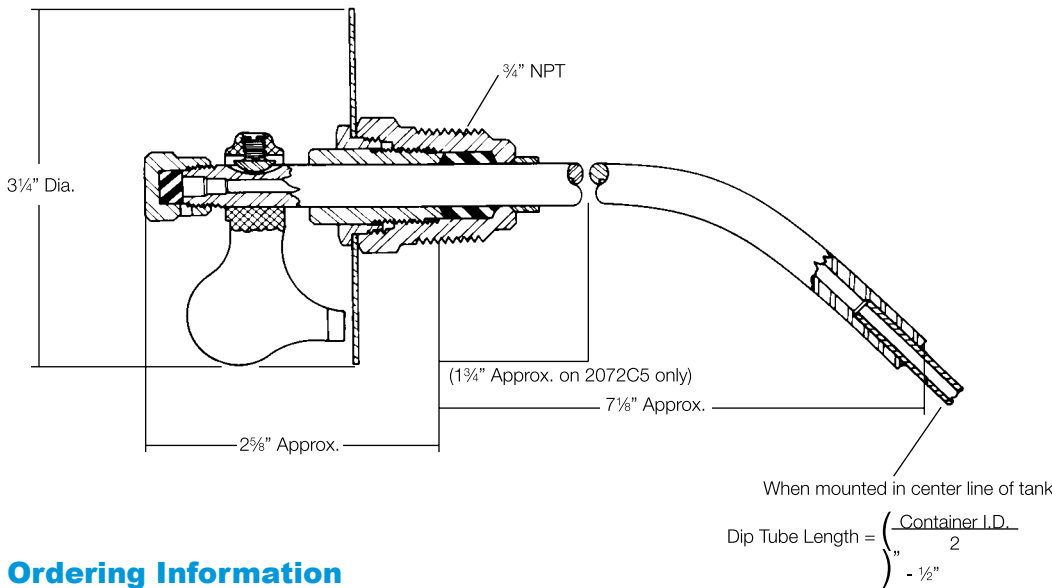
Side at Maximum Filling Level



Side at Center Line



Recessed in Side at Center Line



## Ordering Information

Part Number		For Containers with Inside Diameter	Tank Connection	Valve Seat Orifice
Rotogage®	Dip Tube			
2070C0	2071-L25.7	Up to 40"	3/4 M. NPT	No. 54 Drill Size
	2071-L39.7	Up to 60"		

Distributed by:



Bulgaria  
 Telephone: +359 2 973 27 67  
 Fax: +359 2 973 26 65  
 E-mail: office@daisglobal.eu  
 Web: http://markuchi.eu/

România  
 Telephone/Fax : +40 21 780 45 58  
 E-mail: office\_ro@opwmarket.com  
 Web: http://furtunuri.eu/

Srbija  
 Telephone/Fax : 038111/2619-200  
 E-mail: office\_sr@opwmarket.com  
 Web: http://creva.eu/