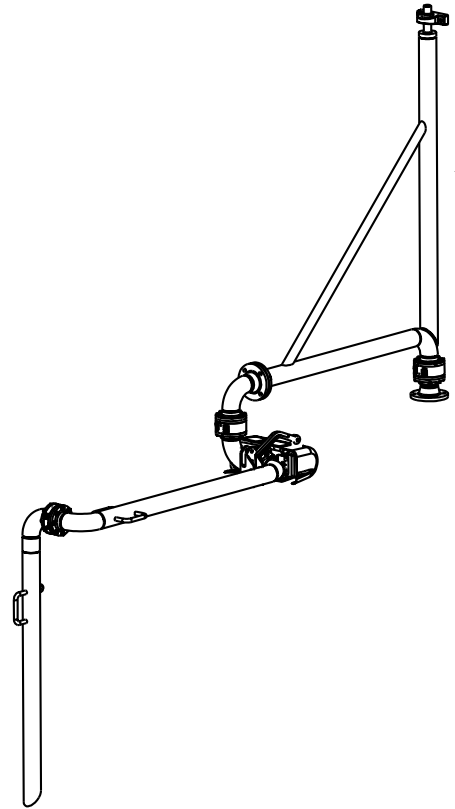
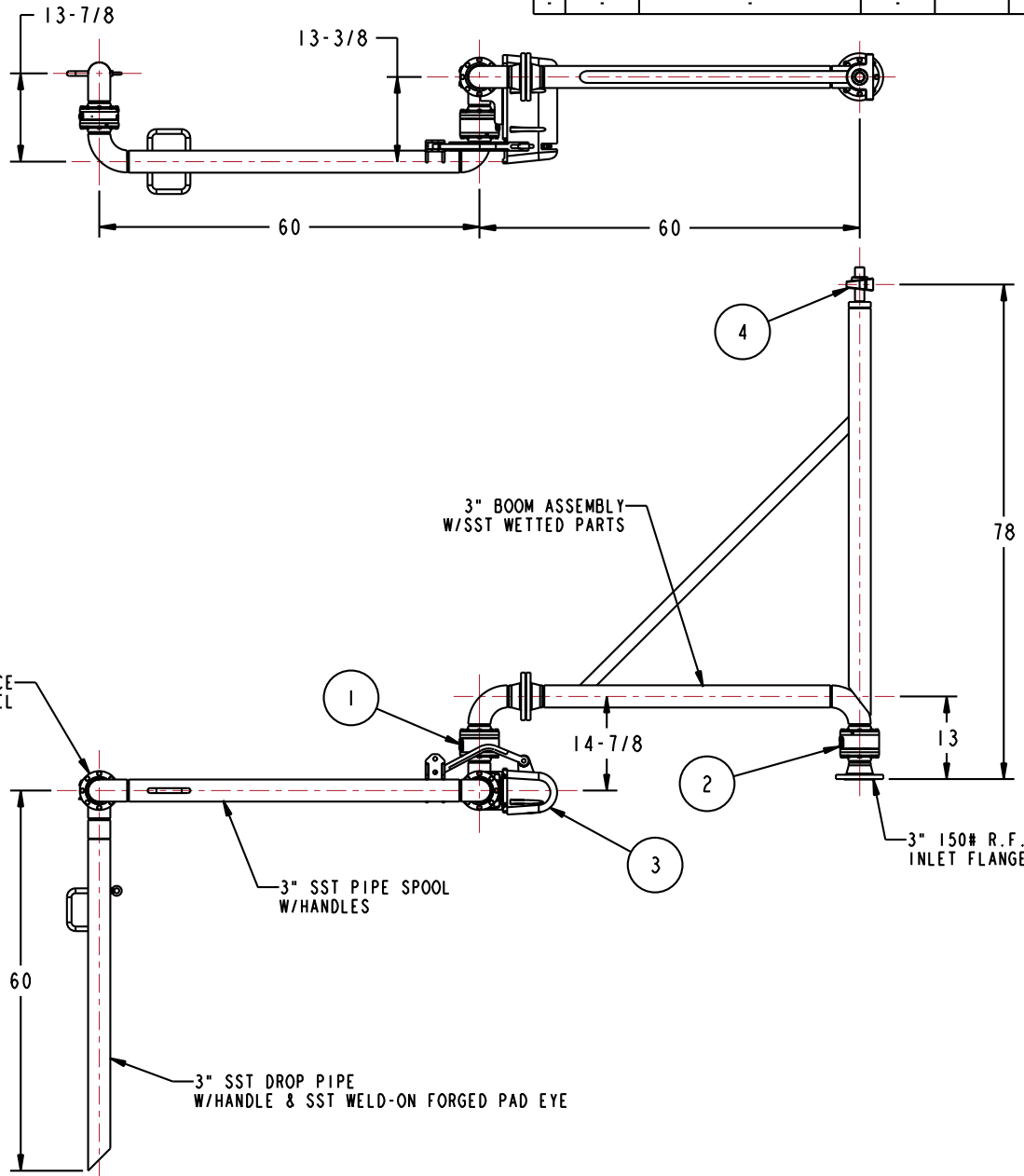


MATERIALS OF CONSTRUCTION	316L STAINLESS STEEL
SWIVEL JOINT SEALS	TFE ENCAPSULATED VITON
SWIVEL LUBE	TOM-PAC BEARING GEL
PRODUCT	45% KOH CAUSTIC
ESTIMATED WEIGHT	450 LBS
MOMENT LOAD AT SPRING	5075 IN-LBS
MOMENT LOAD AT INLET	<20,000 IN-LBS
FLANGE GASKETS	KLINGER SIL C5400
TEST PRESSURE	90 PSI
PRODUCT RETENTION	NO
WEIGHT BY OTHERS	NOT TO EXCEED 15 LBS

4	I	EA	H-01180-M	PILLOW BLOCK BEARING
3	I	EA	790ALH-0025	EZ ADJUST TORSION SPRING BALANCE
2	I	EA	8930FW-G941	3" SWIVEL, ENDURA DSF, SST
1	I	EA	8978FWD-G942	3" SWIVEL ASSY, ENDURA DSF, SST
ITEM	QTY	UM	PART NUMBER	DESCRIPTION

THIS DRAWING IS NOT TO BE SCALED. FOR ADDITIONAL INFORMATION, PLEASE CONTACT OUR ENGINEERING DEPT.

REVISIONS					
LTR	ECN #	DESCRIPTION	DRAWN	APPROVED	DATE
-	-	-	-	-	-



Distributed by:
DAIS
 3, Poruchik Nedelcho Bonchev Str., fl. 5, 1528 Sofia, Bulgaria
 tel: +359 2 973 27 67, e-mail: office@daisglobal.eu

CONFIDENTIAL THIS DOCUMENT CONTAINS INFORMATION WHICH IS PROPRIETARY TO OPW, AND SHOULD BE PROTECTED ACCORDINGLY.

DESCRIPTION: 3" LOADING ARM, SK19141B1, DOWN FEED LEFT HAND

SIGNATURES		MO-DA-YR	REV:	PART NUMBER:
DRAWN: BJB		10/20/08	-	EB33F-G940
CHECKED:			SIZE: D	SCALE: 0.075
MATERIAL:	WEIGHT:			SHEET 1 OF 4

UNLESS OTHERWISE SPECIFIED
 TOLERANCES ON DIMENSIONS
 3 DECIMALS +/- 0.005
 2 DECIMALS +/- 0.015
 1 DECIMAL +/- 0.030
 ANGLES +/- 1/2 DEG
 MACHINED SURFACES 125 RMS MAX

OPW Engineered Systems
 A BOSTON Resources Company
 Lebanon, Ohio 45036 USA
 3D GENERATED DRAWING