



## Enterprise Series

Oil-Free Rotary Compressors

### Tough Liquid Transport Partner

Our Enterprise Compressors are proven workhorses for oil-free high pressure discharge of fluids that can cause problems for cargo pumps. The maximum pressure rating of 36 psi (2.5 bar-g) is among the highest available.

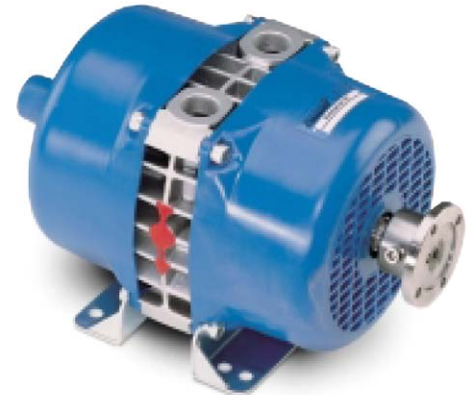
### Cast for Performance

These compact compressors are constructed of corrosion-resistant, hard coated cast iron to withstand harsh environmental and operating conditions. They address containment concerns, purity standards and evacuation of residual product.

### Maintenance Friendly

A patented clamping device allows for easy disassembly and reassembly. The unique blade inspection port on the E106 offers easy inspection without removing the compressor from service.

European Patent 0.083.481



E56



E106



E156

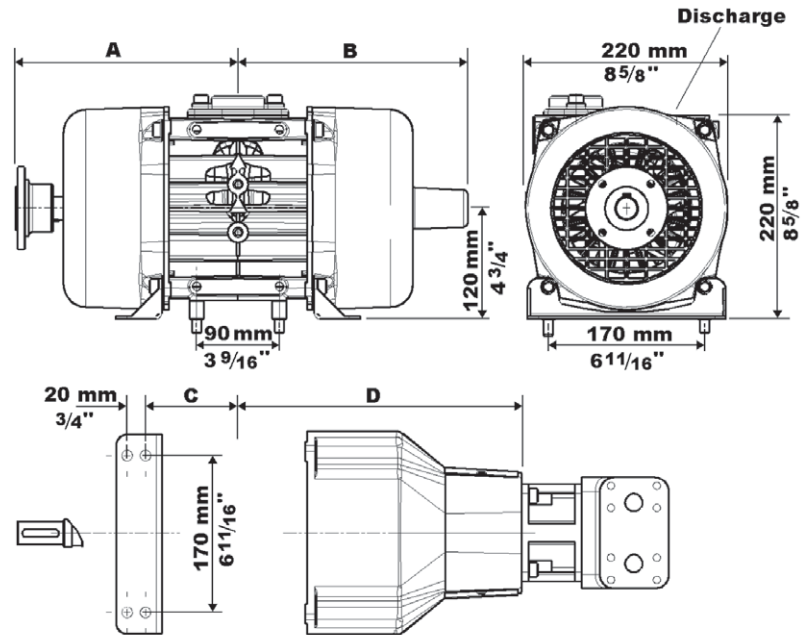


# Enterprise Series Oil-Free Rotary Compressors

## Dimensions

	E56		E106		E156	
	in.	mm	in.	mm	in.	mm
A	7 <sup>1</sup> / <sub>2</sub>	190	9 <sup>1</sup> / <sub>2</sub>	242	11 <sup>1</sup> / <sub>8</sub>	282
B	7 <sup>5</sup> / <sub>8</sub>	200	9 <sup>7</sup> / <sub>8</sub>	250	11 <sup>7</sup> / <sub>16</sub>	290
C	2	50	3 <sup>15</sup> / <sub>16</sub>	100	5 <sup>1</sup> / <sub>2</sub>	140
D	10 <sup>1</sup> / <sub>8</sub>	257	12 <sup>1</sup> / <sub>16</sub>	307	13 <sup>11</sup> / <sub>16</sub>	348

Note: Shaft diameter on all Enterprise compressors is 25 mm and uses a 8x7x40 mm key.



## Discharge

E56	1" BSP, with 1" BSP to 1.5" NPT adapter
E106	1.5" NPT flange
E156	1.5" NPT flange

## Weight

E56		E106		E156	
lb	kg	lb	kg	lb	kg
43	19.5	77	35	109	49.5

## Technical Specifications

	E56	E106	E156
Air Delivered @ 1,600 rpm – FAD cfm (m <sup>3</sup> /hr)	35 (59)	75 (128)	102 (173)
Maximum Continuous Pressure psig (bar-g)	29 (2.0)	36 (2.5)	29 (2.0)
Power Absorbed @ Maximum Pressure – 1,500 rpm (HP [kw])	6.3 (4.7)	11.3 (8.4)	13.7 (10.2)
Recommended Speed Range	1,000-1,600 rpm		

## Options and Accessories

The Enterprise Series compressors are available in PTO or Hydraulic Motor drive versions. Accessories available include:

- Inlet air filter kit
- Discharge pressure check/relief valve
- PTO drive flange
- Hydraulic motor drive adapter
- Hydraulic drive cooler

## Sales Information and Equipment

Blackmer has a worldwide distribution network to assist you in specifying any of our family of pumps, compressors and other equipment for your application.

For more information or to find the distribution nearest to you, please contact us at the telephone, fax, or internet address listed below.



Distributed by:

**OPW**  
market

София 1528, ул. Поручик Неделчо Бончев 3, ет.5  
тел. 02 / 973 2767, 973 2370, факс . 02 / 973 2370  
www.opwmarket.com, email: office@dais-bg.com

### World Headquarters

1809 Century Avenue SW  
Grand Rapids, MI 49503-1530 USA  
T 616.241.1611 F 616.241.3752

### European Headquarters

ZI Plaine des Isles, rue des Caillottes,  
89000 Auxerre, FRANCE  
T +33.3.86.49.86.30 F +33.3.86.46.42.10

**Blackmer**  
A DOVER COMPANY

www.blackmer.com