



Materials

Body: Stainless steel

Internal Components: Stainless steel

Seals: Specially formulated polymers and elastomers specific to high-pressure NGV applications.



ILB-5

Features

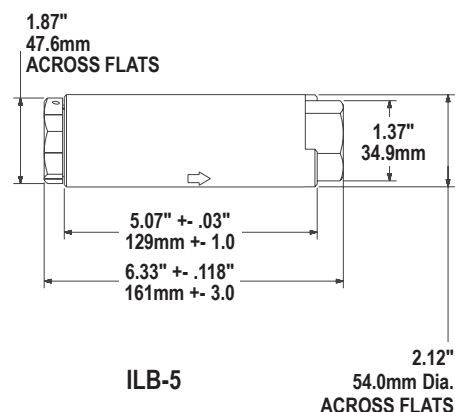
- ◆ **Durable, Corrosion-Resistant Construction** - stainless steel and specially plated steel construction provide improved durability and corrosion resistance in harsh environments.
- ◆ **Reconnectable Design** - allows the component to be reused, reducing maintenance costs.
- ◆ **Innovative Valve System** - the sealing system in this breakaway minimizes the amount of vent gas released during a drive-away incident.
- ◆ **High-Flow/Super Fast Fill Capacity** - this is OPW's fastest flowing breakaway. This breakaway will provide quick fueling of large storage vehicles. Internal seals are specifically designed to meet the demands of fast-fill NGV fueling.
- ◆ **Easy Installation** - the in-line breakaway has SAE-10 O-ring fittings for easy installation in line between the dispenser and nozzle.
- ◆ **Individually Inspected, Leak and Breakaway Tested, with Traceable Serial Numbers**
- ◆ **Disconnection Force** - 150 lbs. (668 N).

Specifications:

Min. Flow Rate: 5500 SCFM @ 3000 psid
 Temperature Range: -40° F to 185° F (-40° C to 85° C)
 Weight: 5 lbs. (2.26 kg)
 Cv: 3.6
 MAWP: 4532 psi (312.5 Bar)

In-Line Breakaway (ILB-5) - Heavy-Duty Truck/Bus

OPW has developed an in-line breakaway that can be used in heavy-duty truck and bus NGV refueling applications. This unit will function consistently, independent of the inlet pressure.



Ordering Specifications

Product No.	Inlet Thread Size	Outlet Thread Size	Service Pressure	
ILB-5	SAE - 10, 7/8" - 14 UNF (female)	SAE - 10, 7/8" - 14 UNF (female)	4532 psi	312.5 bar

Recommended to be used with the CT5000 and CC6000 Series Nozzles.

Rebuild Service (page 345) and In-The-Field Repair Kits Available (page 344) for Ordering Details.

Listings and



Distributed by:



Bulgaria
 Telephone: +359 2 973 27 67
 Fax: +359 2 973 26 65
 E-mail: office@daisglobal.eu
 Web: http://markuchi.eu/

România
 Telephone/Fax: +40 21 780 45 58
 E-mail: office_ro@opwmarket.com
 Web: http://furtunuri.eu/

Srbija
 Telephone/Fax: 038111/2619-200
 E-mail: office_sr@opwmarket.com
 Web: http://creva.eu/