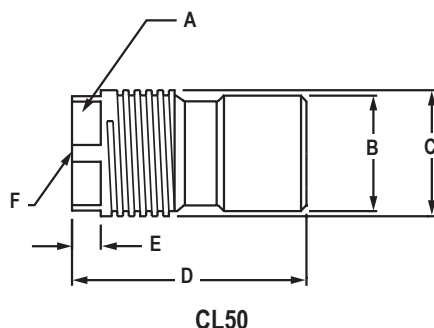


CL50 Series Bus/Heavy-Duty Truck Receptacles

OPW CL50 Series receptacles are designed for use on extremely high-flow, heavy-duty applications including quick-fill, self-service fueling of transit buses and large trucks.



Dimensions

CL50	in	mm
A	1.25	38.1
B	1.25	32
C	1.39	35
D	2.67*	68*
E	0.31	8
F	SAE J1926-10 7/8"-14 UNF	

*D-Dimensions for:

	in	mm
CL5000	4.80	122.1
CL5016	4.96	126.1
CL5078	3.76	95.6

Materials

Body and Adaptor Shaft: Stainless steel
Internal Components: Stainless steel
Seals: Specially formulated polymers and elastomers specific to high pressure NGV applications.



Features

- ◆ **Durable, Corrosion-Resistant Construction** - stainless steel construction provides improved durability and corrosion resistance in the harsh on-highway, heavy-duty environment. This material is harder than the original brass for even greater wear resistance and longer life.
- ◆ **Non-Contact Check Valve** - each OPW CL series receptacle contains a highly reliable non-contact check valve that opens when differential pressure is present during refueling.
- ◆ **Improved Sealing System** - the sealing system in all CL series receptacles consists of a stainless steel poppet that aligns with a rearward facing captured seal located in the receptacle body. This arrangement prevents seal "wash out" during high flow deformation and has exceptional wear resistance under all operating pressure and temperature conditions.
- ◆ **High Flow** - the flow path has been redesigned to increase the amount of flow and decrease the pressure drop resulting in a reduction of noise/vibration from the check valve during the "end of fill."
- ◆ **Rubber Dust Cap** - a standard protective dust cap is supplied with CL50 series receptacles.
- ◆ **Serviceable O-Ring** - designed to prevent leakage at the connection point.

Specifications:

Min. Flow Rate: 5000 SCFM @ 3000 psid
 Temperature Range: -40° F to 250° F
 (-40° C to 120° C)
 Cv: 3.30
 MAWP: 5000 psi (345 Bar)

Ordering Specifications

Product No.	Type/Size	Service Pressure		Weight	
CL50	7/8" - 14 SAE-10 Female Port	3600 psi.	(248 bar)	0.91 lb.	0.413 kg
CL5000	5/8" Double Ferrule Fitting	3600 psi.	(248 bar)	1.29 lbs.	0.585 kg
CL5078	7/8" - 14 SAE-10 Male O-Ring Fitting	3600 psi.	(248 bar)	1.141 lbs.	0.518 kg
CL5016	16 mm Double Ferrule Fitting	3600 psi.	(248 bar)	1.29 lbs.	0.585 kg

Connects to the CT5000S and CC6000 Series Heavy-Duty CNG Nozzles

1121 Replacement "Interface" O-Ring for CL50 Series Receptacles

Distributed by:



Bulgaria
 Telephone: +359 2 973 27 67
 Fax: +359 2 973 26 65
 E-mail: office@daisglobal.eu
 Web: http://markuchi.eu/

România
 Telephone/Fax: +40 21 780 45 58
 E-mail: office_ro@opwmarket.com
 Web: http://furtunuri.eu/

Srbija
 Telephone/Fax: 038111/2619-200
 E-mail: office_sr@opwmarket.com
 Web: http://creva.eu/