



Materials

Body: Stainless steel; acetal
Jaws: Stainless steel
Seals: Specially formulated polymers and elastomers specific to high pressure NGV applications.

CC6000 Coupling End

CC6000 Hose Connection End



Features

- ◆ **High-Flow/Super Fast Fill Capability** - OPW's fastest flowing nozzle. This nozzle will provide quick fueling of large storage vehicles. Internal seals are specially designed to meet the demands of fast-fill NGV fueling.
- ◆ **Type** - designed as a High Flow Type 2 nozzle used in conjunction with CL50 receptacles.
- ◆ **Jaw-Lock Technology** - designed specifically for the frequent coupling and uncoupling of the high-pressure gas connections of NGV fueling. Forces at the contact point are distributed over the entire surface area of the receptacle, significantly reducing nozzle wear.
- ◆ **Ergonomic Design** - has a comfortable "tool-grip" like all other OPW Type 2 nozzles.
- ◆ **Durable Construction** - heavy-duty stainless steel construction provides excellent corrosion resistance in the harsh refueling environment.
- ◆ **Individually Leak Tested And Inspected With Traceable Serial Numbers**

Specifications:

Min. Flow Rate: 5000 SCFM @ 3000 psid
 Temperature Range: -40° F to 185° F (-40° C to 85° C)
 Weight: 2.94 lbs. (1.33 kg)
 Cv: 4.00
 MAWP: 4532 psi (312.5 Bar)

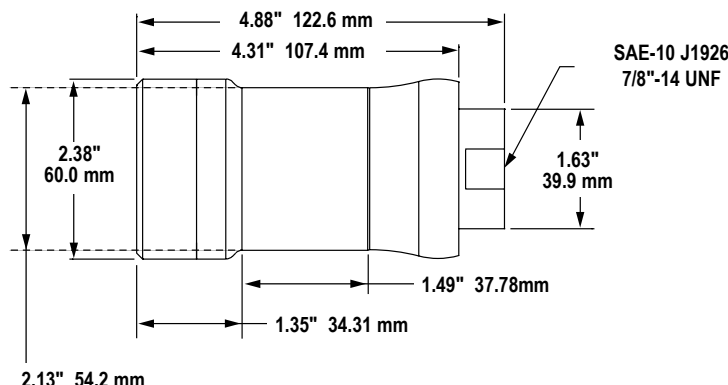
CC6000 Series Bus/Heavy-Duty Truck Nozzles

OPW 6000 Series nozzles are designed for extremely high-flow public and private CNG fueling systems when connected to OPW CL50 receptacles. Applications include quick-fill, self-service fueling of transit buses and large trucks. This Type 2 nozzle must be used with some type of secondary flow control valve that either vents down only the nozzle or the nozzle and hose.

Ordering Specifications

Product #	Inlet	
	Thread Size	Service Pressure
CC6000	SAE-10 J1926, 7/8" - 14 UNF	3600 psi (250 bar)

Connects to CL50 Series Heavy-Duty Receptacles



CC6000

Distributed by:



Bulgaria
 Telephone: +359 2 973 27 67
 Fax: +359 2 973 26 65
 E-mail: office@daisglobal.eu
 Web: http://markuchi.eu/

România
 Telephone/Fax : +40 21 780 45 58
 E-mail: office_ro@opwmarket.com
 Web: http://furtunuri.eu/

Srbija
 Telephone/Fax : 038 111/2619-200
 E-mail: office_sr@opwmarket.com
 Web: http://creva.eu/