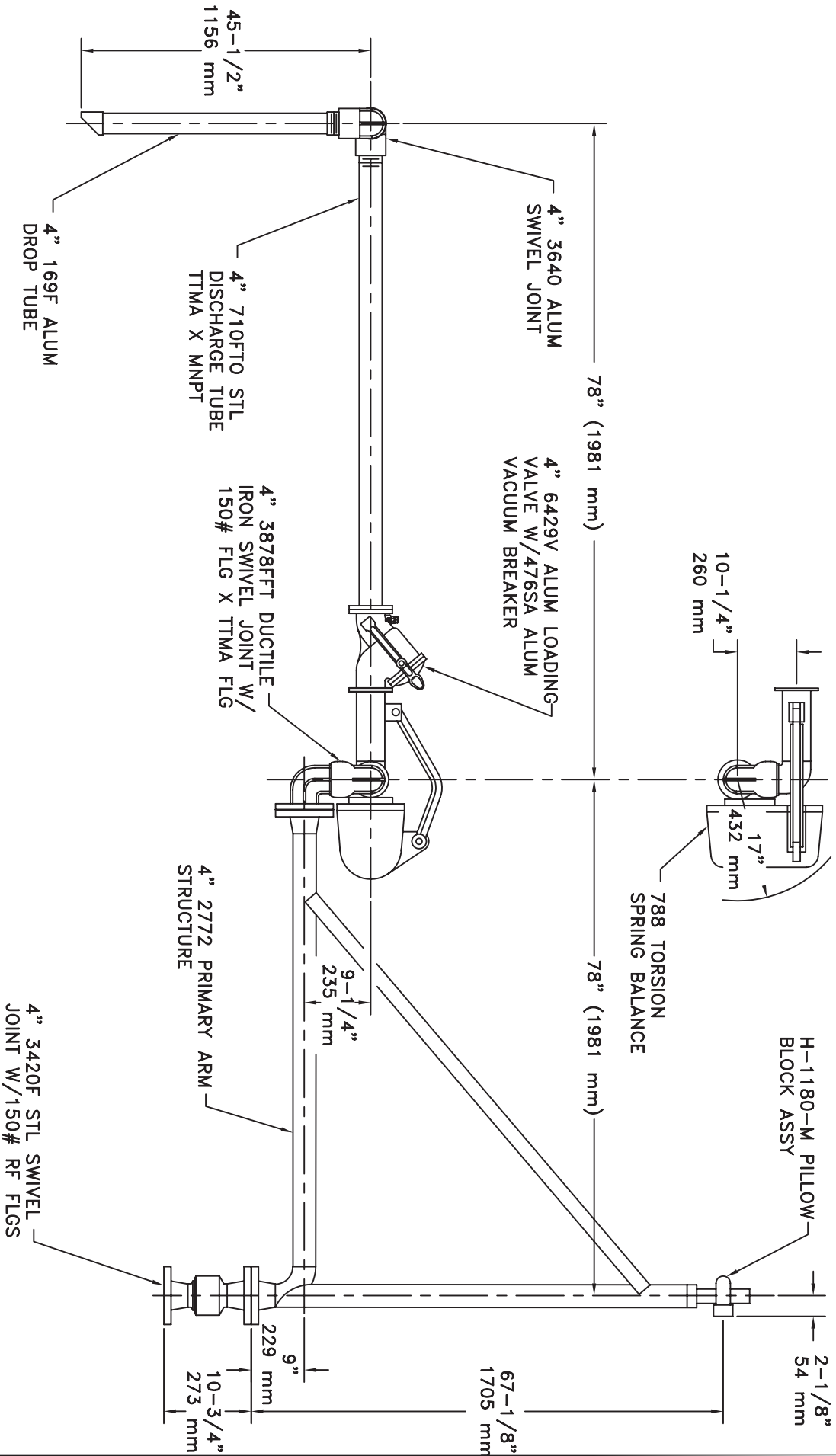


MATERIAL:  
DUCTILE IRON / STEEL / ALUMINUM  
VITON

OPW  
Engineered Systems

### 4" OPW B32F LIQUID LOADER



ARM IS DESIGNED FOR PRODUCT RETENTION TO POINT OF VALVE

Distributed by:



3, Poruchik Nedelcho Bonchev Str., fl. 5, 1528 Sofia, Bulgaria  
tel: +359 2 973 27 67, e-mail: office@daisglobal.eu